

# PSA0218R/1142

## Directional Antenna

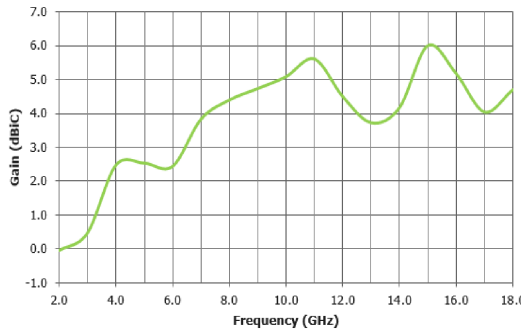
### Key Features:

Designed for electronic warfare applications

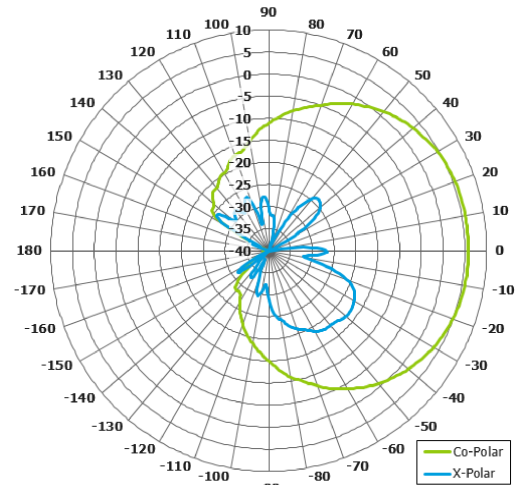
Ultra wideband performance

Suitable for DF arrays

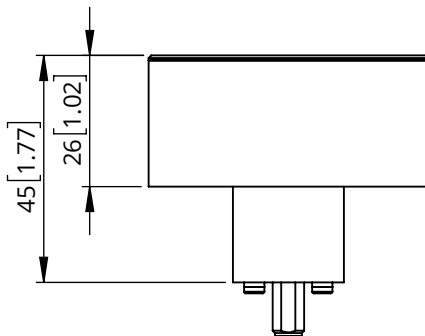
Phase and amplitude testing available



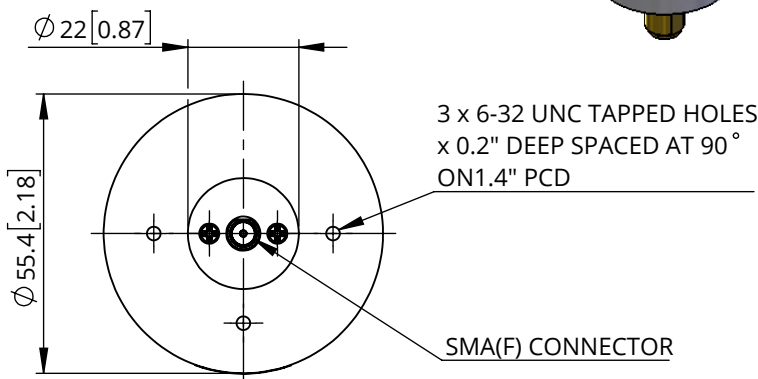
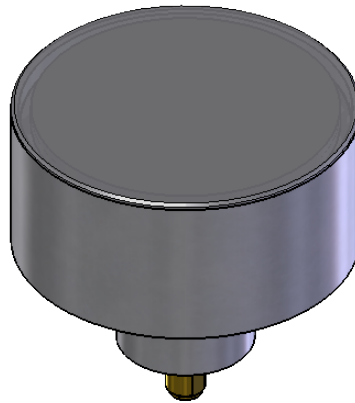
Typical Gain Plot



Azimuth Polar Plot (@ 15 GHz)



SIDE VIEW



BASE VIEW

### ELECTRICAL

|                      |                      |
|----------------------|----------------------|
| <b>Frequency:</b>    | 2 to 18 GHz          |
| <b>Gain:</b>         | 0 to 6 dBiC Typ.     |
| <b>Polarisation:</b> | Right hand circular  |
| <b>Beamwidth:</b>    | 60° x 100° Typ.      |
| <b>Axial Ratio:</b>  | < 1 dB Typ.          |
| <b>VSWR:</b>         | 2.5:1 Max, <2:1 Typ. |
| <b>Power Rating:</b> | 5 W                  |

### MECHANICAL

|                         |               |
|-------------------------|---------------|
| <b>Standard Finish:</b> | Grey radome   |
| <b>Mass:</b>            | 70 g / 2.5 oz |
| <b>Temperature:</b>     | -40 to +60°C  |

Full radiation patterns and CAD available on request

DS: 1142-6

Issued: 210621

Dimensions: mm [inches]