

# PSA0218R/1277

## Directional Antenna

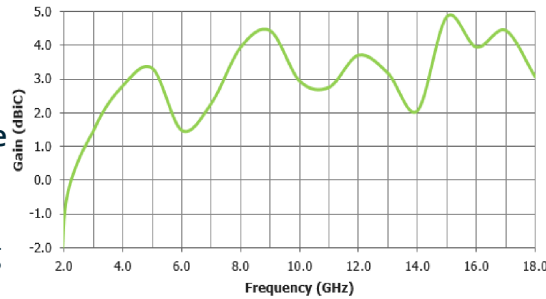
### Key Features:

Designed for electronic warfare applications

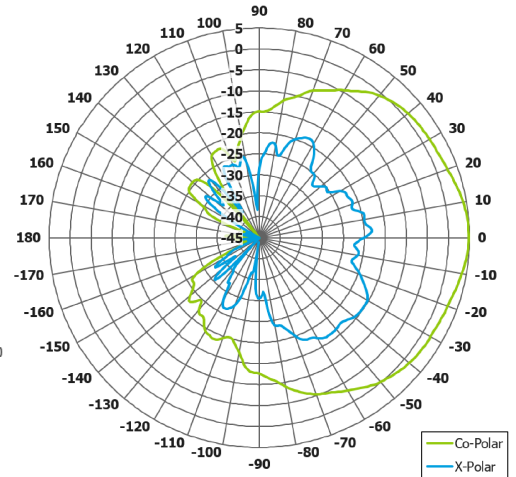
Ultra wideband performance

Suitable for DF arrays

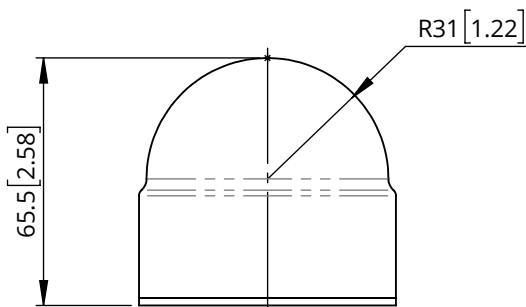
Phase and amplitude testing available



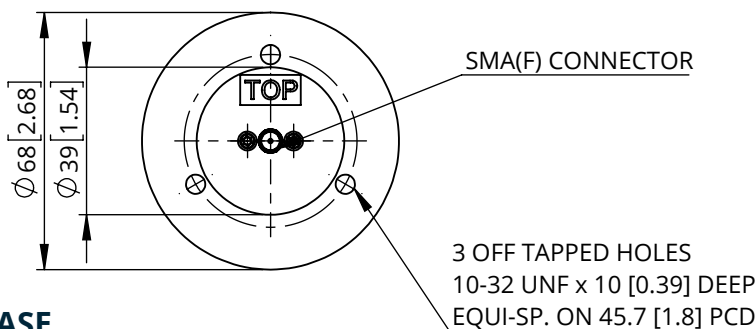
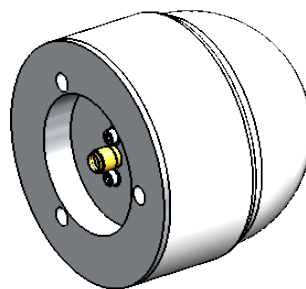
Typical Gain Plot



Azimuth Polar Plot (@ 15 GHz)



SIDE VIEW



BASE VIEW

### ELECTRICAL

**Frequency:** 2 to 18 GHz

**Gain:** -1 to +5 dBiC Typ.

**Polarisation:** Right hand circular

**Beamwidth:** 45° x 100° Typ.

**Axial Ratio:** 1.5 dB Typ.

**VSWR:** 3:1 Max, <2:1 Typ.

**Power Rating:** 2 W

### MECHANICAL

**Standard Finish:** White radome

**Mass:** 0.176 Kg / 0.39 lbs

**Temperature:** -40 to +60°C

Full radiation patterns and CAD available on request

DS: 1277-5

Issued: 230621

Dimensions: mm [inches]