

# PSA-2.0-18R/2354

## Directional Antenna

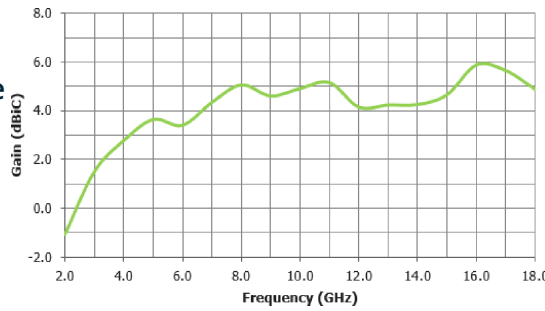
### Key Features:

Designed for electronic warfare applications

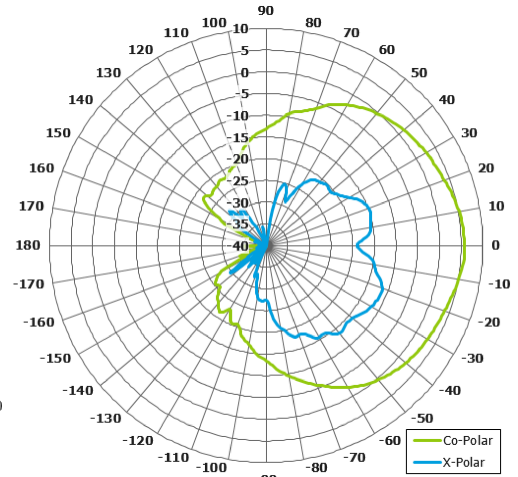
Ultra wideband performance

Suitable for DF arrays

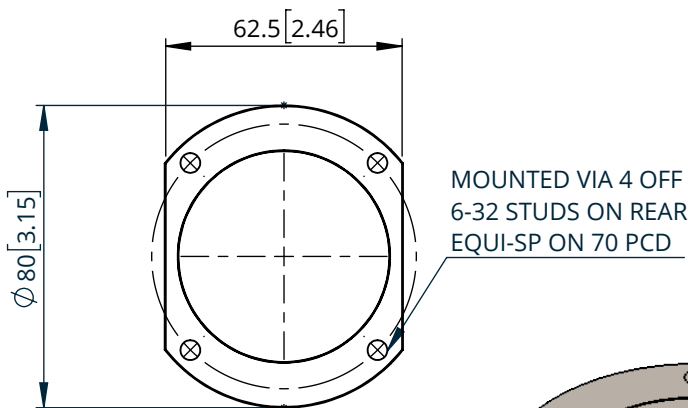
Phase and amplitude testing available



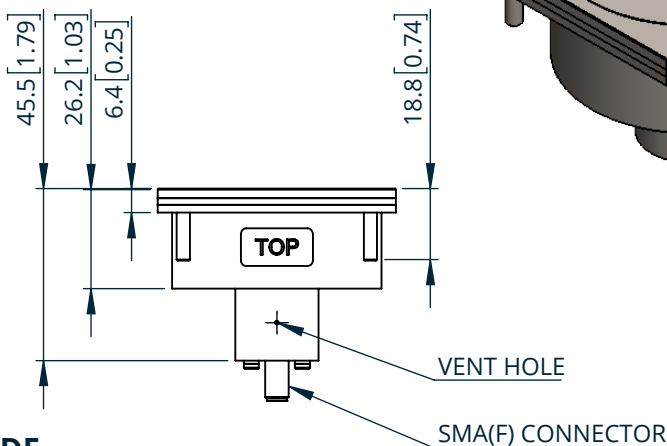
Typical Gain Plot



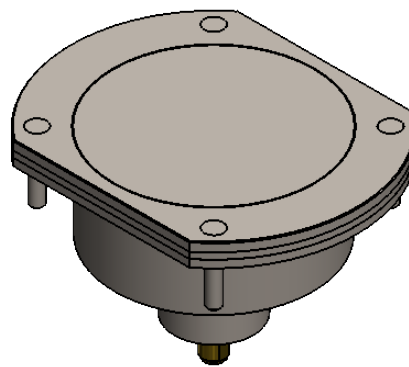
Azimuth Polar Plot (@ 16 GHz)



TOP VIEW



SIDE VIEW



### ELECTRICAL

<b>Frequency:</b>	2 to 18 GHz
<b>Gain:</b>	See typical gain plot
<b>Polarisation:</b>	Right hand circular
<b>Beamwidth:</b>	40° x 100° Typ.
<b>Axial Ratio:</b>	<1.5:1 Typ. (10 dB @ 2 GHz)
<b>VSWR:</b>	2.5:1 Max.
<b>Power Rating:</b>	5 W

### MECHANICAL

<b>Standard Finish:</b>	BS381C 626 Camouflage Grey
<b>Mass:</b>	0.12 Kg / 0.26 lbs
<b>Temperature:</b>	-54 to +71°C

Full radiation patterns and CAD available on request

DS: 2354-2

Issued: 300621

Dimensions: mm [inches]