

FPA-4.0-6.0R/1787

Directional Antenna

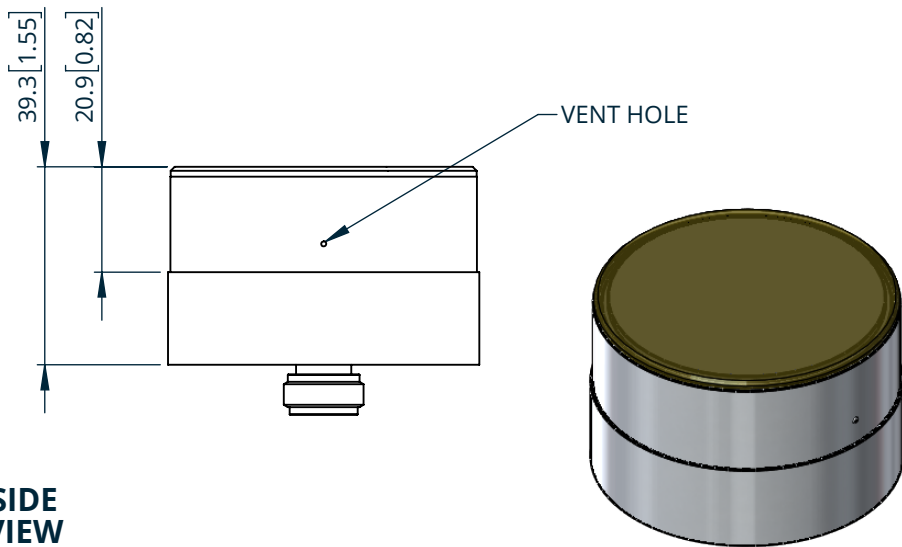
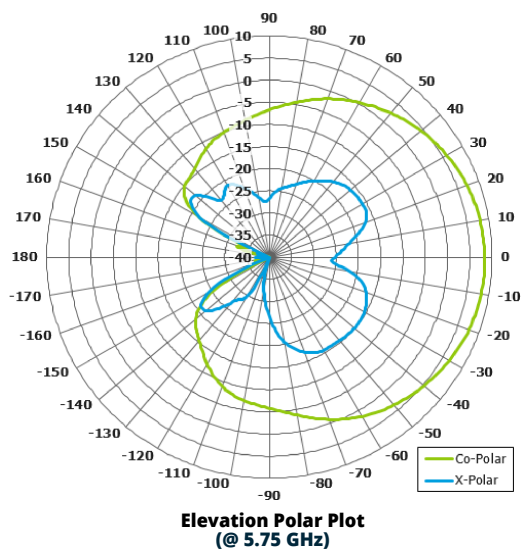
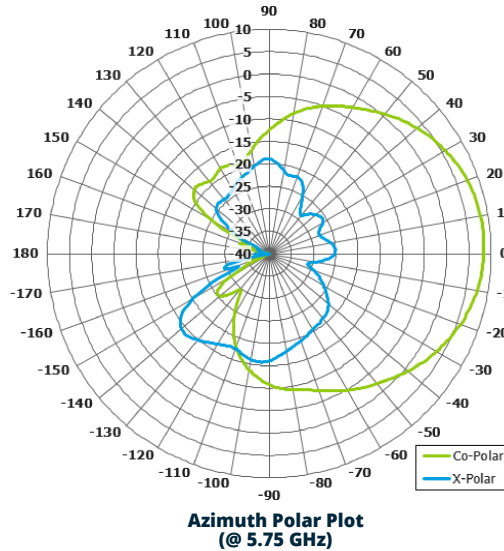
Key Features:

Designed for electronic warfare applications

Ultra wideband performance

Suitable for DF arrays

Phase and amplitude testing available

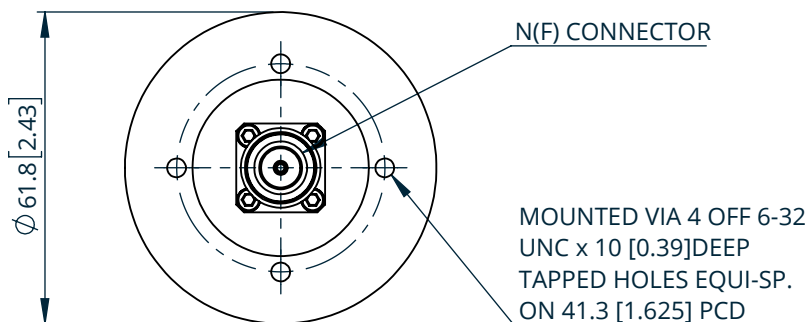


ELECTRICAL

Frequency:	4 to 6 GHz
Gain:	7.8 dBiC Typ.
Polarisation:	Right hand circular
Beamwidth:	70° x 70° Typ.
Axial Ratio:	2 dB Typ.
VSWR:	<2:1
Power Rating:	30 W

MECHANICAL

Standard Finish:	Beige radome
Mass:	0.17 Kg / 0.37 lbs
Temperature:	-30 to +60°C



Full radiation patterns and CAD available on request

DS: 1787-2

Issued: 300621

Dimensions: mm [inches]