

SVD2-2600/1187

Slim Omni Antenna



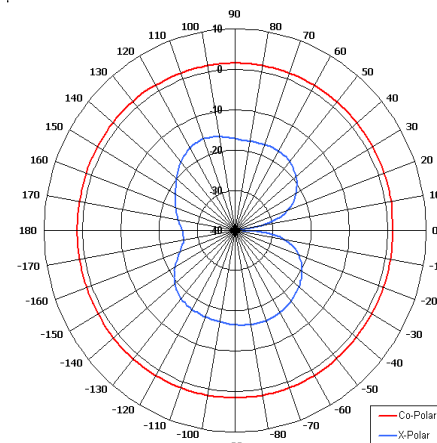
Key Features

Designed for Multiple Applications

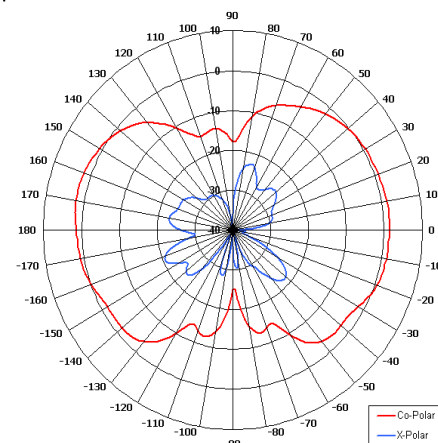
Suitable for Mobile Applications

Compact

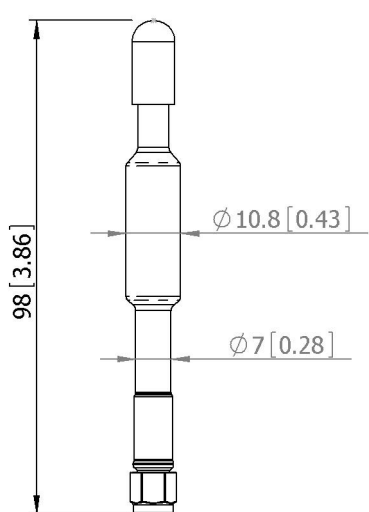
Lightweight



Azimuth Pattern



Elevation Pattern



**SIDE
VIEW**



**BASE
VIEW**



SMA(M) CONNECTOR

GA: 1187

ELECTRICAL

Frequency	2.50 - 2.70 GHz
Gain	2 dBi Nom
Polarisation	Linear (Vertical)
Beamwidth	360° (Az) x 80° (El) Approx
Cross Polar	15 dB
VSWR	2.0:1
Power Rating	5 W
Front to Back	N/A

MECHANICAL

Standard Finish	Matt Black
Mass	12 g (0.4 oz)
Temperature	-20° to +50°C
Wind Loading	N/A

MOUNTING OPTIONS

Kits Available	N/A
----------------	-----

See separate data sheets

ADDITIONAL NOTES

Issued 200410

Chelton Limited has a policy of continuous development and stress that the information provided is a guide only and does not constitute an offer or contract or part thereof. Whilst every effort is made to ensure the accuracy of the information contained in this brochure, no responsibility can be accepted for any errors or omissions.

The copyright of antenna designs and images is copyright protected and owned by Chelton Limited.
©Chelton Limited

For further information please contact:
Chelton Limited,
Lambda House, Cheveley,
Newmarket, Suffolk CB8 9RG, UK.
T: +44 (0)1638 732 177
E: newmarket.sales@chelton.com
W: www.chelton.com/microwave