

# LPA7-25R-1230

Directional Antenna



## Key Features

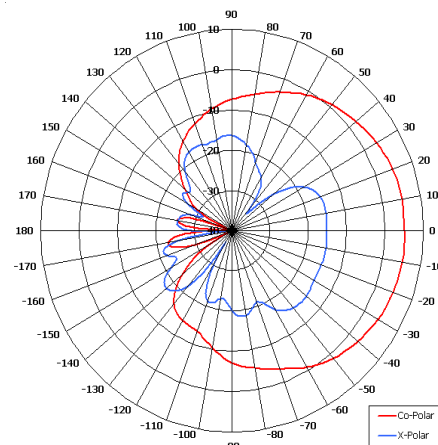
Designed for Broadcast Applications

Suitable for Multiple Applications

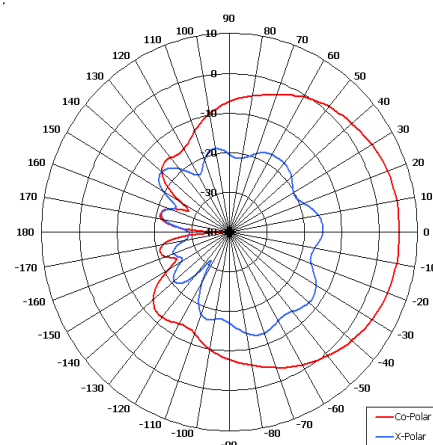
Right Hand Circular Polarised

Low Profile

Connector Options

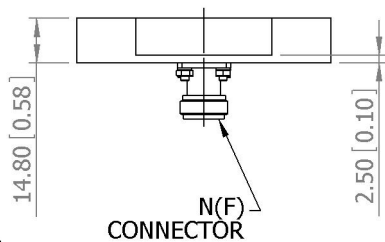


Azimuth Pattern

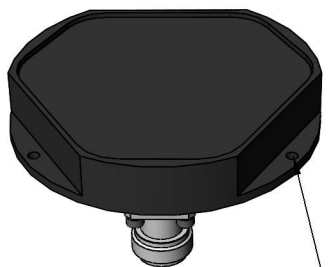
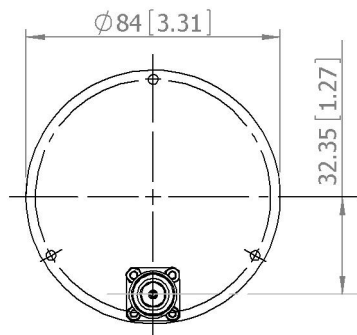


Elevation Pattern

**SIDE VIEW**



**BASE VIEW**



**MOUNTED VIA  
3 OFF  $\varnothing$ 3.2 HOLES  
EQUI-SPACED  
ON 77.8 [3.06] PCD**

**GA: 1230**

## ELECTRICAL

Frequency	2.30 - 2.70 GHz
Gain	8 dBiC Nom
Polarisation	Right Hand Circular
Beamwidth	75° (Az) x 80° (El) Approx
Axial Ratio	3 dB Typ
VSWR	1.5:1
Power Rating	10 W
Front to Back	>30 dB

## MECHANICAL

Standard Finish	Matt Black
Mass	120 g (4.24 oz)
Temperature	-20° to +50°C
Wind Loading	N/A

## MOUNTING OPTIONS

Kits Available	N/A
See separate data sheets	

## ADDITIONAL NOTES

Issued 060111

Chelton Limited has a policy of continuous development and stress that the information provided is a guide only and does not constitute an offer or contract or part thereof. Whilst every effort is made to ensure the accuracy of the information contained in this brochure, no responsibility can be accepted for any errors or omissions.

The copyright of antenna designs and images is copyright protected and owned by Chelton Limited.  
©Chelton Limited

For further information please contact:  
Chelton Limited,  
Lambda House, Cheveley,  
Newmarket, Suffolk CB8 9RG, UK.  
T: +44 (0)1638 732 177  
E: [newmarket.sales@chelton.com](mailto:newmarket.sales@chelton.com)  
W: [www.chelton.com/microwave](http://www.chelton.com/microwave)