

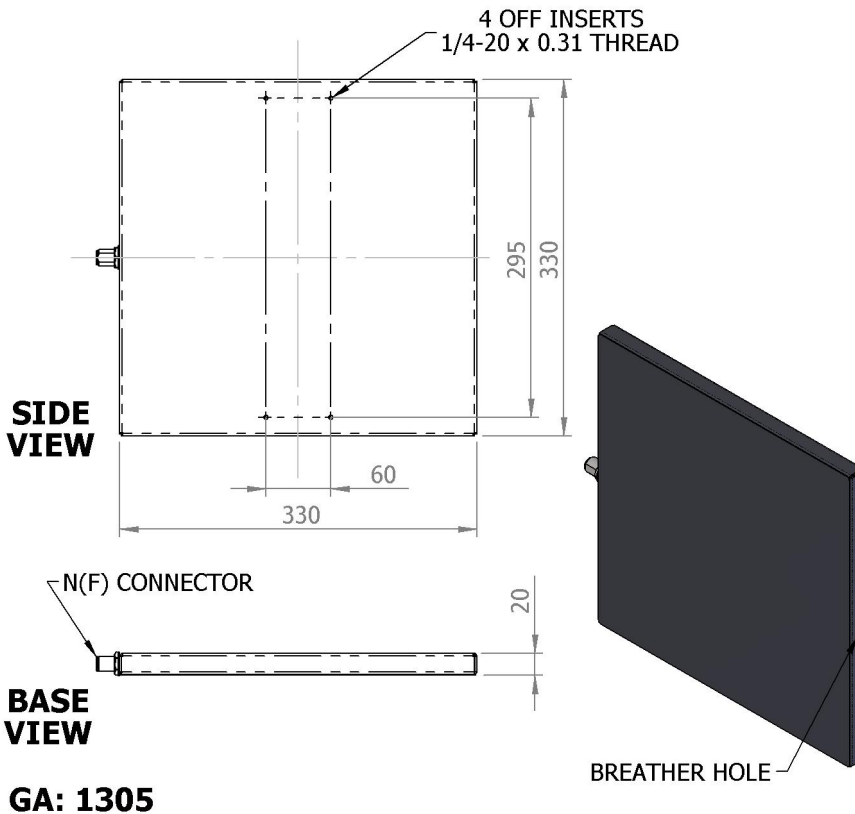
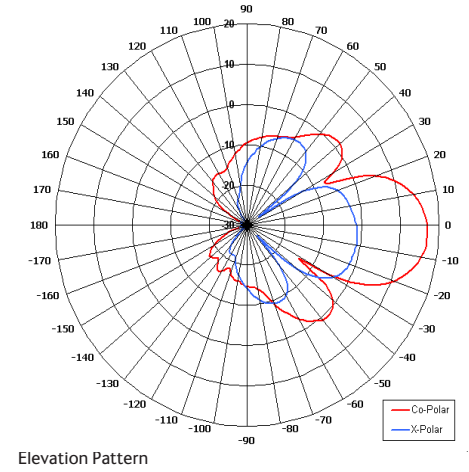
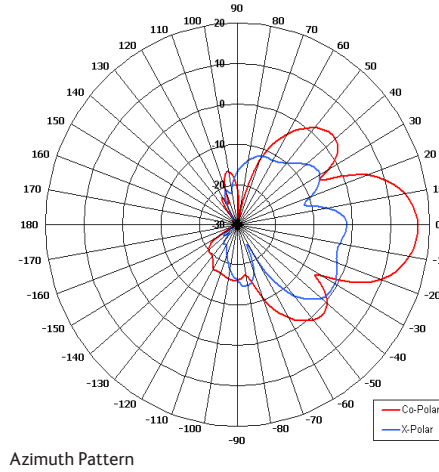
# FPA16-2.2L/1305

Directional Antenna



## Key Features

Designed for Tactical Comms Applications  
 Left Hand Circular Polarised  
 Rugged  
 Low Profile



### ELECTRICAL

Frequency	2.10 - 2.30 GHz
Gain	16.8 dBiC Nom
Polarisation	Left Hand Circular
Beamwidth	24° (Az) x 25° (El) Approx
Axial Ratio	3 dB Typ
VSWR	2:1 Max, 1.5:1 Typ
Power Rating	25 W
Front to Back	>45 dB

### MECHANICAL

Standard Finish	Matt Black
Mass	1.0 Kg (2.2 lbs)
Temperature	-40° to +71°C
Wind Loading	18 Kg (39lbs) @ 100mph

### MOUNTING OPTIONS

Kits Available	N/A
See separate data sheets	

### ADDITIONAL NOTES

Issued 230910

Chelton Limited has a policy of continuous development and stress that the information provided is a guide only and does not constitute an offer or contract or part thereof. Whilst every effort is made to ensure the accuracy of the information contained in this brochure, no responsibility can be accepted for any errors or omissions.

The copyright of antenna designs and images is copyright protected and owned by Chelton Limited.  
 ©Chelton Limited

For further information please contact:

Chelton Limited,  
 Lambda House, Cheveley,  
 Newmarket, Suffolk CB8 9RG, UK.  
 T: +44 (0)1638 732 177  
 E: newmarket.sales@chelton.com  
 W: www.chelton.com/microwave