

# RCO3-3450-502/486



Right Hand Circular Polarised Omni Antenna

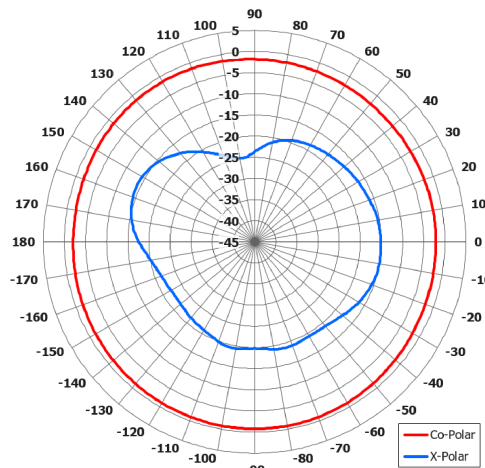
## Key Features

Right Hand Circular Polarised

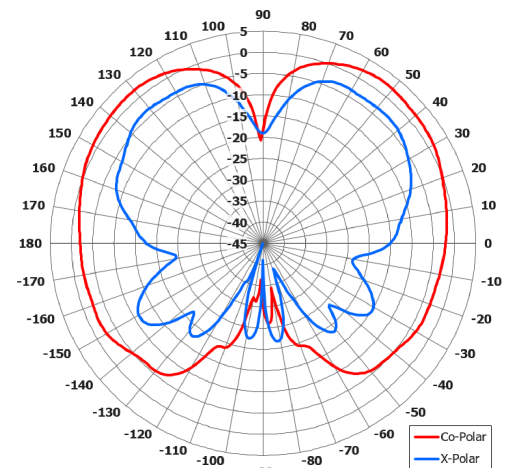
Light Weight

Rugged

Compact

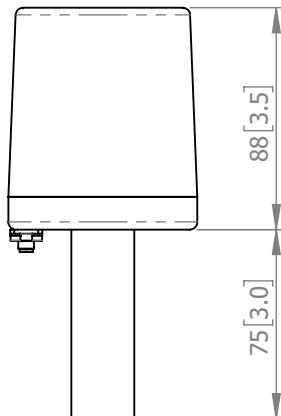


Azimuth Polar Plot

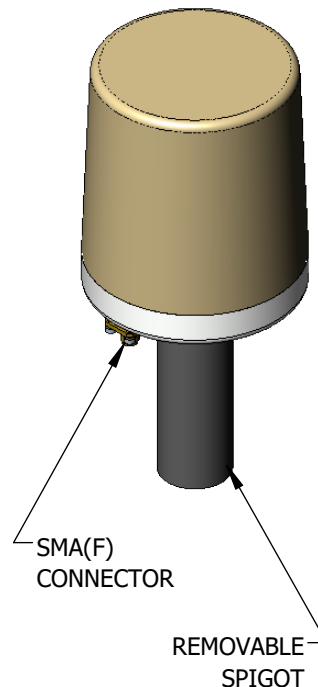
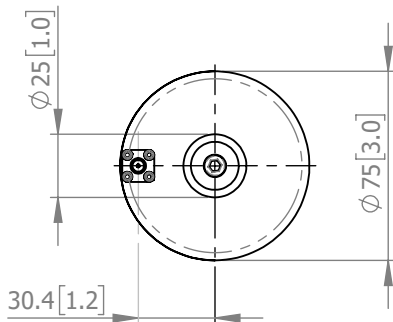


Elevation Polar Plot

## SIDE VIEW



## BASE VIEW



SMA(F)  
CONNECTOR

REMOVABLE  
SPIGOT

## ELECTRICAL

Frequency: 3.35 - 3.55 GHz

Gain: 3.0 dBIC

Polarisation: Right Hand Circular

Beamwidth: 360° (Az) x 80° (El)

Axial Ratio: 3 dB Typ.

VSWR: 2:1 Max.

Power Rating: 10 W

Front to Back: N/A

## MECHANICAL

Standard Finish: Beige Radome

Mass: 200 g / 7 oz

Temperature: -20° to +50°C

Wind Loading: 10.8 N @ 100 mph

## MOUNTING OPTIONS

Kits Available: N/A

See Separate Data Sheets

DS: 0486-2 Issued: 011020

Dimensions: mm [inches] M

Chelton Limited has a policy of continuous development and stress that the information provided is a guide only and does not constitute an offer or contract or part thereof. Whilst every effort is made to ensure the accuracy of the information contained in this brochure, no responsibility can be accepted for any errors or omissions.

The copyright of antenna designs and images is copyright protected and owned by Chelton Limited.  
©Chelton Limited

For further information please contact:

Chelton Limited,  
Lambda House, Cheveley,  
Newmarket, Suffolk CB8 9RG, UK.

T: +44 (0)1638 732 177

E: [newmarket.sales@chelton.com](mailto:newmarket.sales@chelton.com)

W: [www.chelton.com/microwave](http://www.chelton.com/microwave)