

# OA4-2.1VH/2340

## Dual Polar Omni Antenna



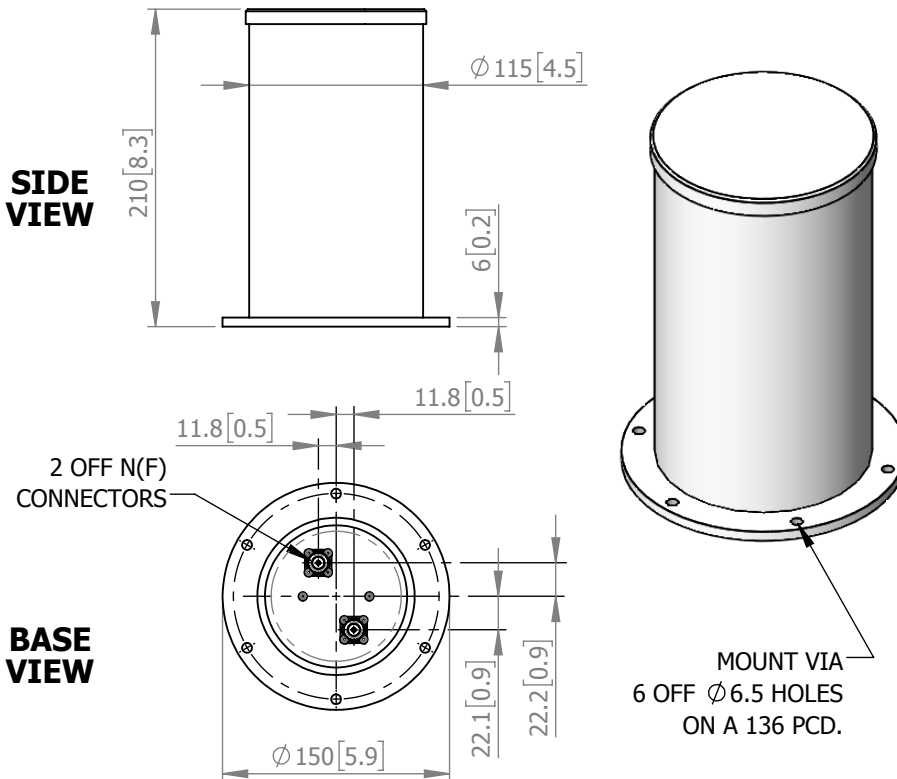
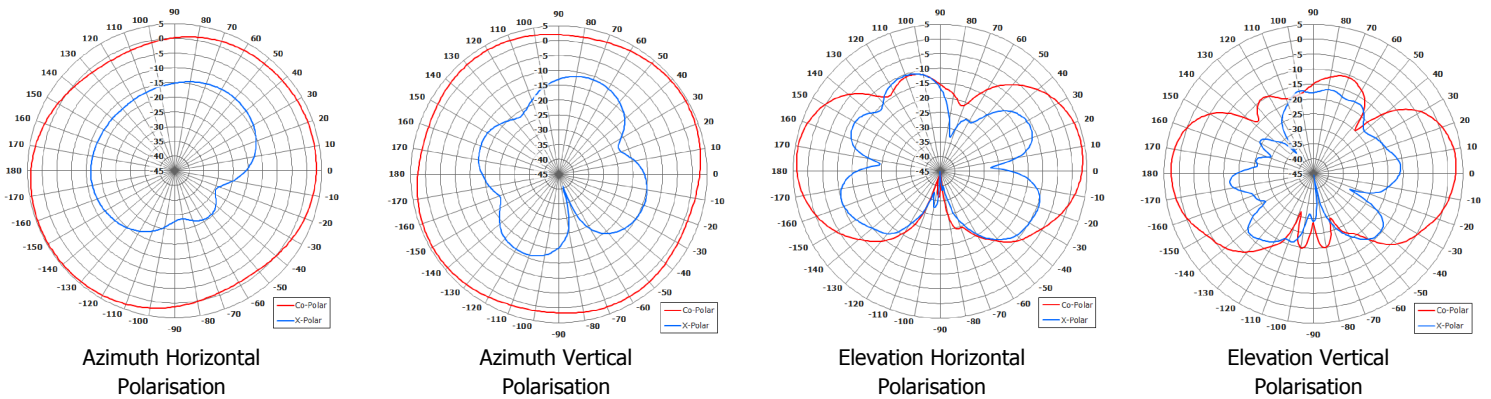
### Key Features

Ideal for MIMO applications

IP64 Rated

Low Azimuth Ripple

Dual Vertical and Horizontal Polarisations



### ELECTRICAL

<b>Frequency:</b>	1.98 - 2.20 GHz
<b>Gain:</b>	4.0 dBi Nominal
<b>Polarisation:</b>	Dual Linear (Horizontal/Vertical)
<b>Beamwidth:</b>	360° (Az) x 30-45° (El) Typ.
<b>Cross Polar:</b>	>8 dB
<b>VSWR:</b>	2:1
<b>Power Rating:</b>	20 W
<b>Front to Back:</b>	N/A

### MECHANICAL

<b>Standard Finish</b>	Gloss White
<b>Mass:</b>	1.15 Kg / 2.53 lbs
<b>Temperature:</b>	-40° to +70°C
<b>Wind Loading:</b>	24N @ 100mph

### MOUNTING OPTIONS

<b>Kits Available:</b>	N/A
<b>See Separate Data Sheets</b>	

Note: All measurements undertaken without a ground plane.

**DS: 2340-2**    **Issued: 190118**  
**Dimensions: mm [inches]**                      **L**

Chelton Limited has a policy of continuous development and stress that the information provided is a guide only and does not constitute an offer or contract or part thereof. Whilst every effort is made to ensure the accuracy of the information contained in this brochure, no responsibility can be accepted for any errors or omissions.

The copyright of antenna designs and images is copyright protected and owned by Chelton Limited.  
 ©Chelton Limited

For further information please contact:  
 Chelton Limited,  
 Lambda House, Cheveley,  
 Newmarket, Suffolk CB8 9RG, UK.  
 T: +44 (0)1638 732 177  
 E: newmarket.sales@chelton.com  
 W: www.chelton.com/microwave