

AMHP12-860R/009

Helix Antenna



Key Features

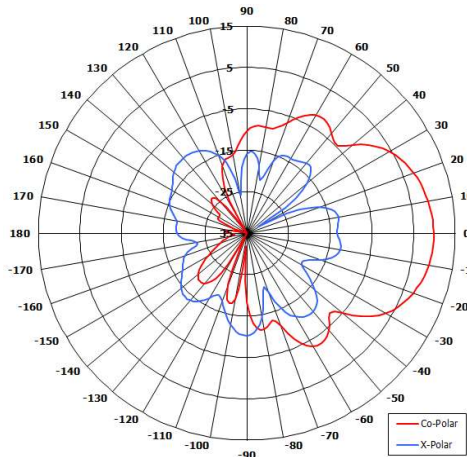
Suitable for Security Applications

Designed for Point to Point Applications

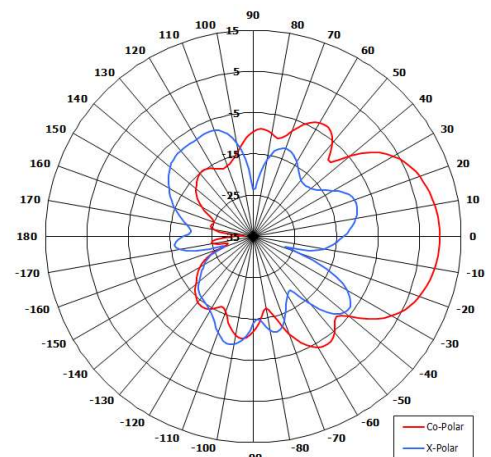
Right Hand Circular Polarised

Rugged

Mounting Options

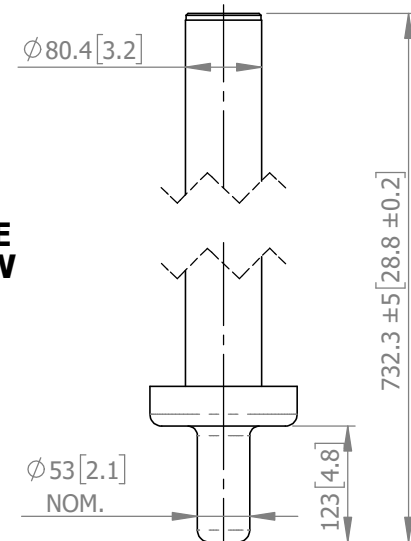


Azimuth Polar Plot

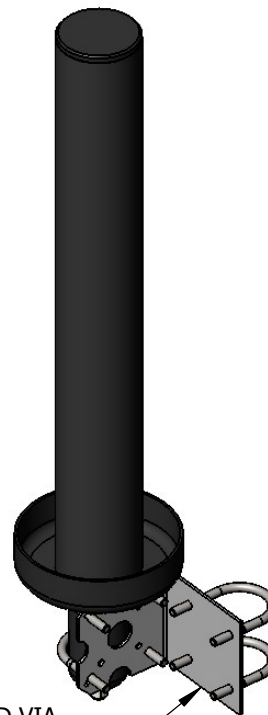
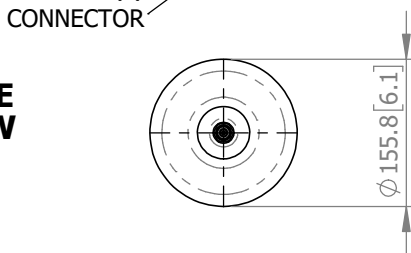


Elevation Polar Plot

SIDE VIEW



BASE VIEW



MOUNTED VIA
OPTIONAL MK4/C
MOUNTING KIT

ELECTRICAL

Frequency:	800 - 1000 MHz
Gain:	>8.5 dBiC
Polarisation:	Right Hand Circular
Beamwidth:	50° (Az) x 50° (El) Typical
Axial Ratio:	0.5 dB Typical
VSWR:	<2:1
Power Rating:	25 W
Front to Back:	15 dB

MECHANICAL

Standard Finish:	Matt Black
Mass:	3.0 Kg / 6.6 lbs
Temperature:	-20° to +50°C
Wind Loading:	9.1 Kg / 20.1 lbs @ 100 mph

MOUNTING OPTIONS

Kits Available:	MK4/C
------------------------	-------

See Separate Data Sheets

DS: 009-4 Issued: 010520
Dimensions: mm [inches] M

Chelton Limited has a policy of continuous development and stress that the information provided is a guide only and does not constitute an offer or contract or part thereof. Whilst every effort is made to ensure the accuracy of the information contained in this brochure, no responsibility can be accepted for any errors or omissions.

The copyright of antenna designs and images is copyright protected and owned by Chelton Limited.
©Chelton Limited

For further information please contact:
Chelton Limited,
Lambda House, Cheveley,
Newmarket, Suffolk CB8 9RG, UK.
T: +44 (0)1638 732 177
E: newmarket.sales@chelton.com
W: www.chelton.com/microwave