

# XPO2V-880-2175/1350

Omni Antenna



## Key Features

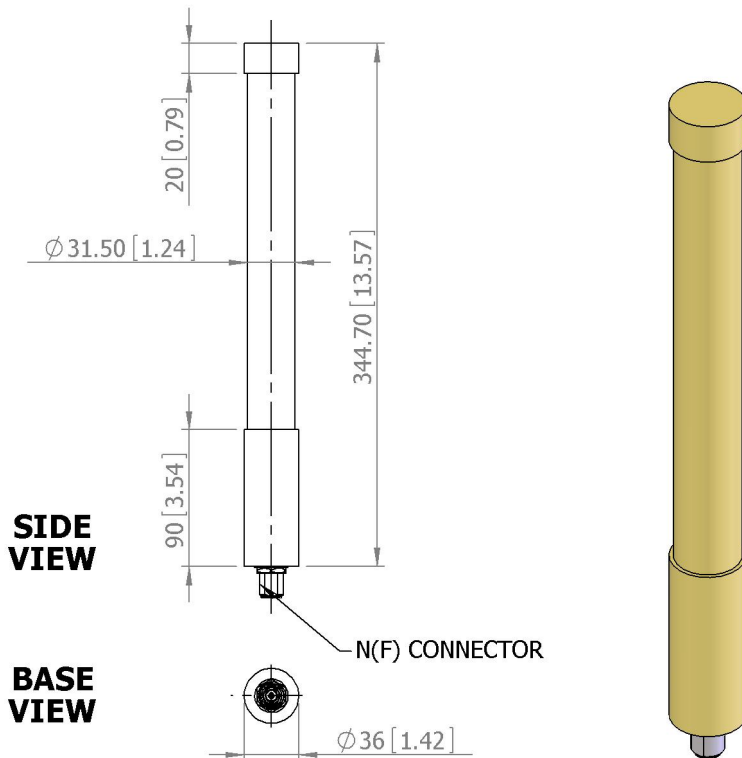
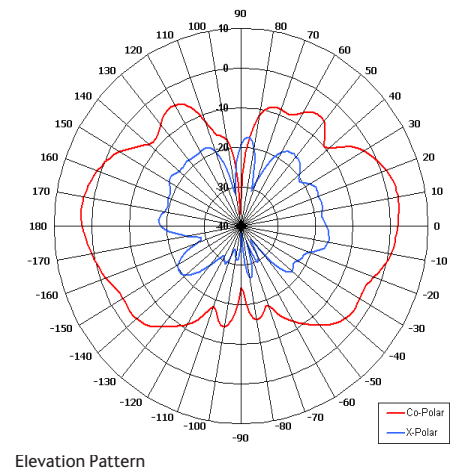
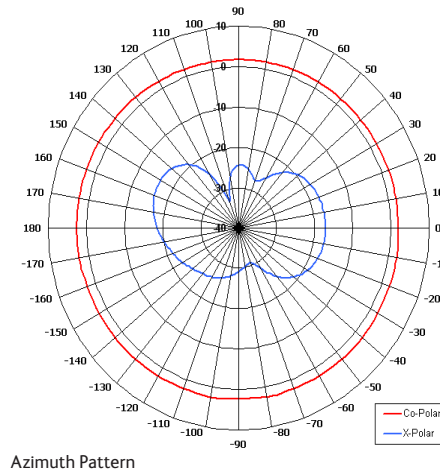
Suitable for Multiple Applications

Wide Band

Suitable for Mobile Applications

Mounting Options

Colour Options



### ELECTRICAL

Frequency	880 - 2175 MHz
Gain	2.5 dBi Nom
Polarisation	Linear (Vertical)
Beamwidth	360° (Az) x 50° (El) Approx
Cross Polar	10 dB Typ
VSWR	2.5:1
Power Rating	50 W
Front to Back	N/A

### MECHANICAL

Standard Finish	Desert Tan
Mass	250g (0.55 lbs) Approx
Temperature	-20° to +50°C
Wind Loading	1.1 Kg/2.5 lbs @ 100mph

### MOUNTING OPTIONS

Kits Available	N/A
See separate data sheets	

### ADDITIONAL NOTES

Issued 260210

Chelton Limited has a policy of continuous development and stress that the information provided is a guide only and does not constitute an offer or contract or part thereof. Whilst every effort is made to ensure the accuracy of the information contained in this brochure, no responsibility can be accepted for any errors or omissions.

The copyright of antenna designs and images is copyright protected and owned by Chelton Limited.  
©Chelton Limited

For further information please contact:

Chelton Limited,  
Lambda House, Cheveley,  
Newmarket, Suffolk CB8 9RG, UK.  
T: +44 (0)1638 732 177  
E: [newmarket.sales@chelton.com](mailto:newmarket.sales@chelton.com)  
W: [www.chelton.com/microwave](http://www.chelton.com/microwave)