

FPA24-4.7VH/1999



Flat Panel Antenna

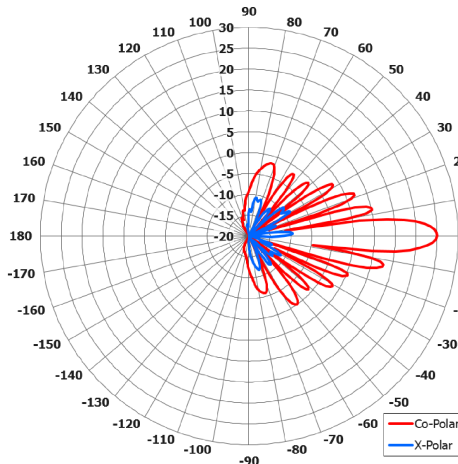
Key Features

Suitable for tactical comms applications

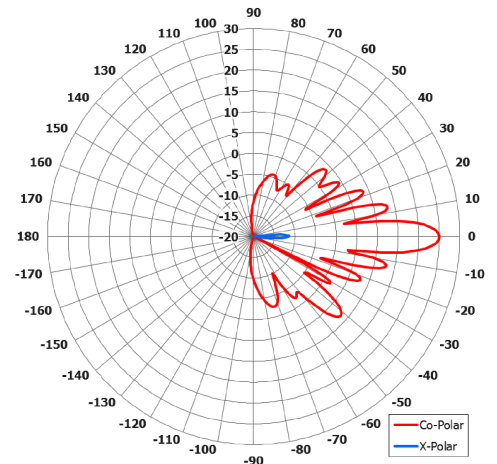
High gain

Dual polar

Low profile

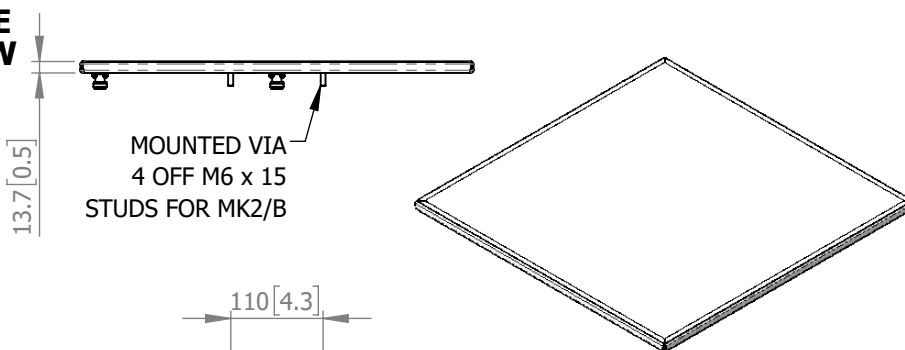


Azimuth Polar Plot



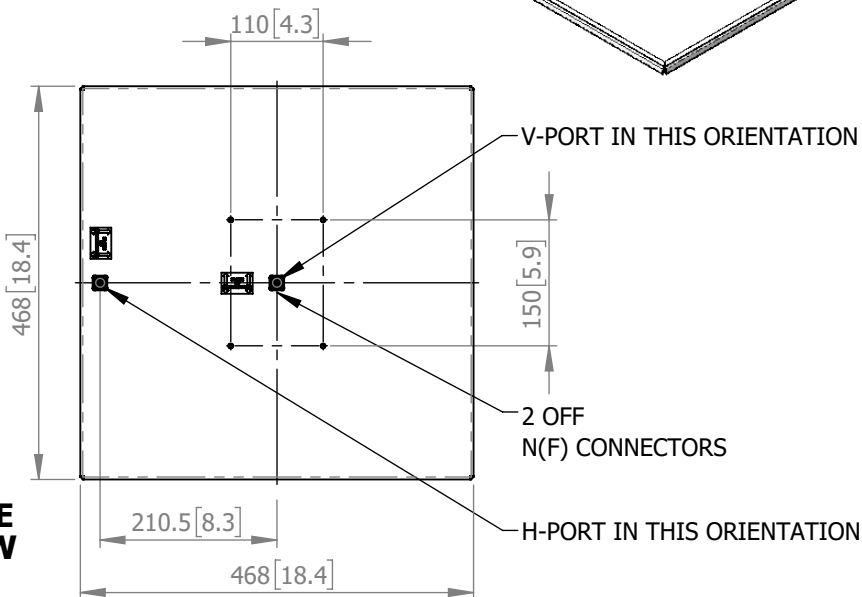
Elevation Polar Plot

SIDE VIEW



MOUNTED VIA
4 OFF M6 x 15
STUDS FOR MK2/B

BASE VIEW



V-PORT IN THIS ORIENTATION

2 OFF
N(F) CONNECTORS

H-PORT IN THIS ORIENTATION

ELECTRICAL

Frequency: 4.4 - 5.0 GHz

Gain: 23.5 dBi Nom. (V. pol)

22 dBi Nom. (H. pol)

Polarisation: Dual Linear (Vertical & Horizontal)

Beamwidth: 8° (Az) x 8° (El)

Cross Polar: >20 dB

VSWR: 2:1 Max.

Power Rating: 25 W

Front to Back: >30 dB

MECHANICAL

Standard Finish: Gloss White

Mass: 2.5 Kg / 5.5 lbs

Temperature: -30° to +55°C

Wind Loading: 314N @ 100 mph

MOUNTING OPTIONS

Kits Available: MK2/B

See Separate Data Sheets

DS: 1999-1 Issued: 180619

Dimensions: mm [inches] L

Chelton Limited has a policy of continuous development and stress that the information provided is a guide only and does not constitute an offer or contract or part thereof. Whilst every effort is made to ensure the accuracy of the information contained in this brochure, no responsibility can be accepted for any errors or omissions.

The copyright of antenna designs and images is copyright protected and owned by Chelton Limited.
©Chelton Limited

For further information please contact:
Chelton Limited,
Lambda House, Cheveley,
Newmarket, Suffolk CB8 9RG, UK.
T: +44 (0)1638 732 177
E: newmarket.sales@chelton.com
W: www.chelton.com/microwave