

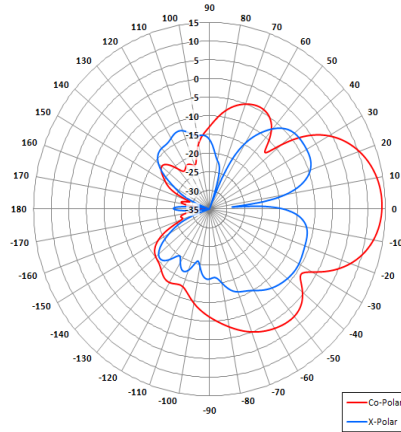
FPA13-31R/687

Low Profile Antenna

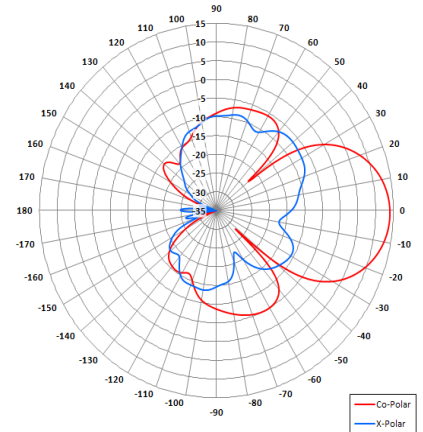


Key Features

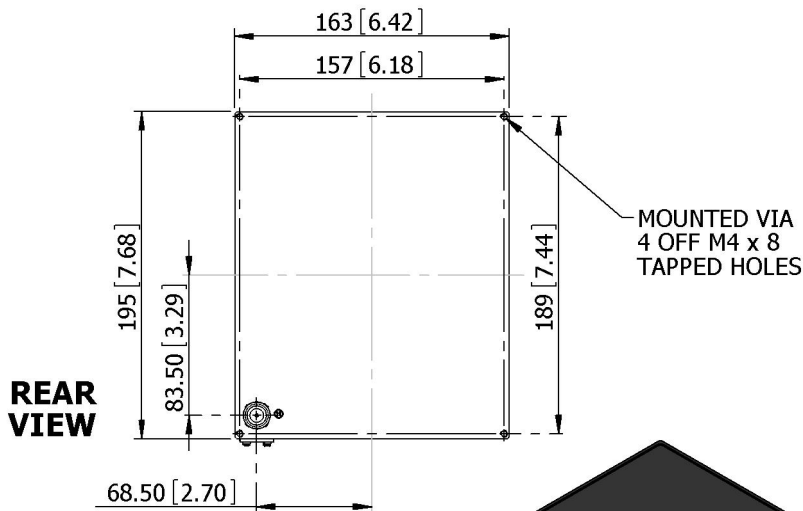
- Designed for Security Applications
- Suitable for Outdoor Applications
- Narrow Band
- Rugged



Azimuth Pattern



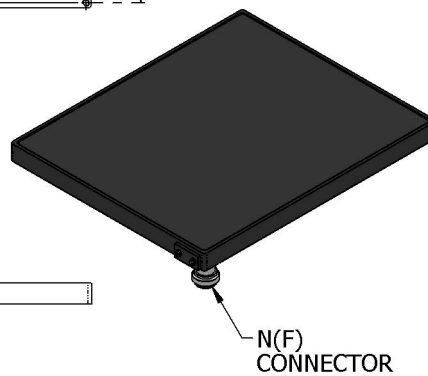
Elevation Pattern



REAR VIEW

BASE VIEW

GA: 0687



N(F)
CONNECTOR

ELECTRICAL

Frequency	3.1375 - 3.3875 GHz
Gain	14 dBiC Min
Polarisation	Right Hand Circular
Beamwidth	35° (Az) x 35° (El) Approx
Axial Ratio	2 dB Typ
VSWR	1.5:1
Power Rating	10 W
Front to Back	20 dB Nom

MECHANICAL

Standard Finish	Matt Black
Mass	450g (0.99 lbs)
Temperature	-20° to +50°C
Wind Loading	5.1 Kg (11.40 lbs) @ 100mph

MOUNTING OPTIONS

Kits Available	N/A
See separate data sheets	

ADDITIONAL NOTES

Issued 141011

Chelton Limited has a policy of continuous development and stress that the information provided is a guide only and does not constitute an offer or contract or part thereof. Whilst every effort is made to ensure the accuracy of the information contained in this brochure, no responsibility can be accepted for any errors or omissions.

The copyright of antenna designs and images is copyright protected and owned by Chelton Limited.
©Chelton Limited

For further information please contact:
Chelton Limited,
Lambda House, Cheveley,
Newmarket, Suffolk CB8 9RG, UK.
T: +44 (0)1638 732 177
E: newmarket.sales@chelton.com
W: www.chelton.com/microwave