

# OA7-1090V/1328

Omni Antenna



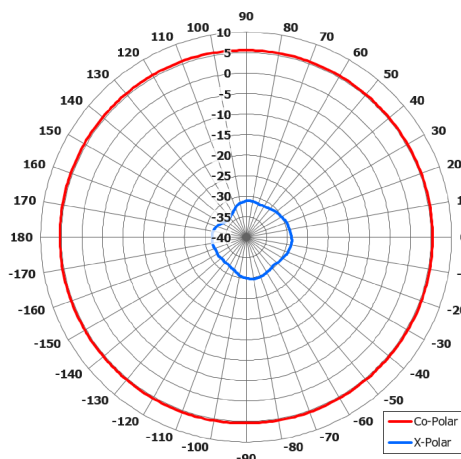
## Key Features

Designed for LINK 16 Applications

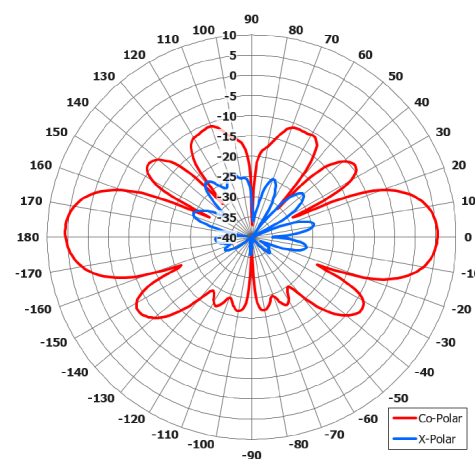
High Gain

Low Azimuth Ripple Wide Band

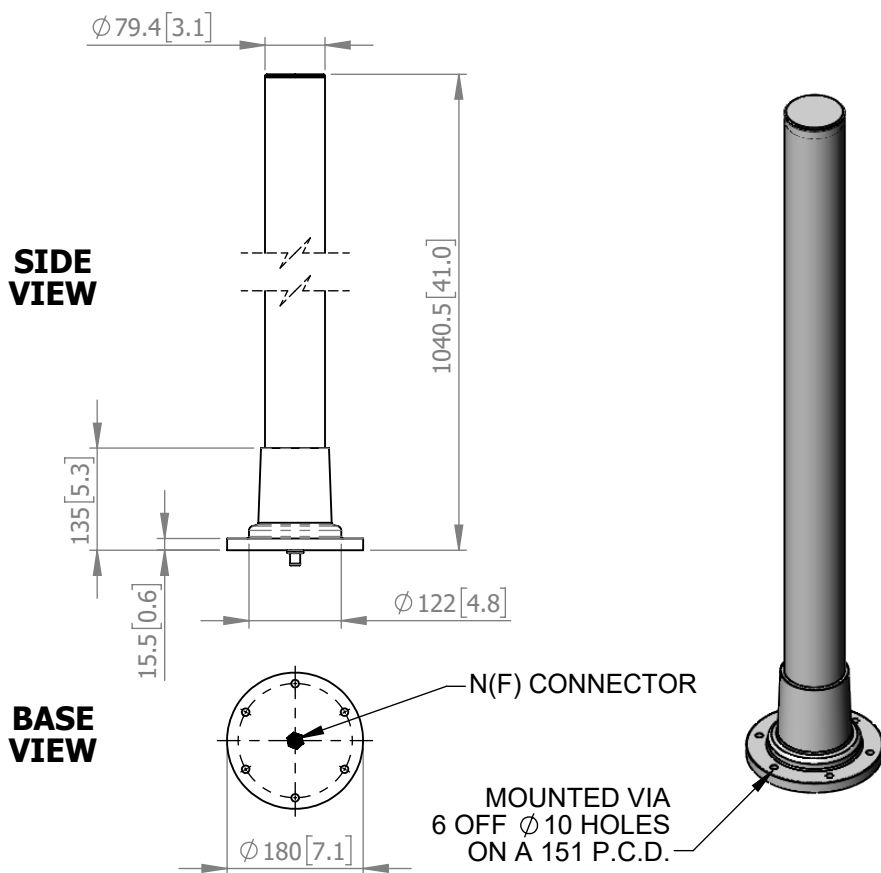
Rugged



Azimuth Polar Plot



Elevation Polar Plot



## ELECTRICAL

**Frequency:** 960 - 1215 GHz

**Gain:** 5.5 dBiC Nom.

**Polarisation:** Linear (Vertical)

**Beamwidth:** 360° (Az) x 19° (El)

**Cross Polar:** >30 dB

**Return Loss:** 20 dBi

**Power Rating:** 200 W @50% duty

**Front to Back:** N/A

**Electrical Tilt:** 0.5° Up

**DC Grounding:** DC Grounded

## MECHANICAL

**Standard Finish:** White

**Mass:** 2.6 Kg / 5.72 lbs

**Temperature:** -40° to +50°C

**Wind Loading:** 126 N @ 100 mph

## MOUNTING OPTIONS

**Kits Available:** N/A

See Separate Data Sheets

**DS:** 1328-2 **Issued:** 200520

**Dimensions:** mm [inches] **M**

Chelton Limited has a policy of continuous development and stress that the information provided is a guide only and does not constitute an offer or contract or part thereof. Whilst every effort is made to ensure the accuracy of the information contained in this brochure, no responsibility can be accepted for any errors or omissions.

The copyright of antenna designs and images is copyright protected and owned by Chelton Limited.  
©Chelton Limited

For further information please contact:

Chelton Limited,  
Lambda House, Cheveley,  
Newmarket, Suffolk CB8 9RG, UK.  
T: +44 (0)1638 732 177  
E: newmarket.sales@chelton.com  
W: www.chelton.com/microwave