

LPA7X-16R/341

Low Profile Antenna

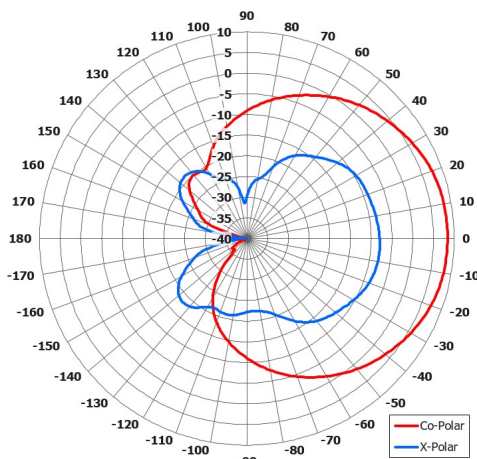


Key Features

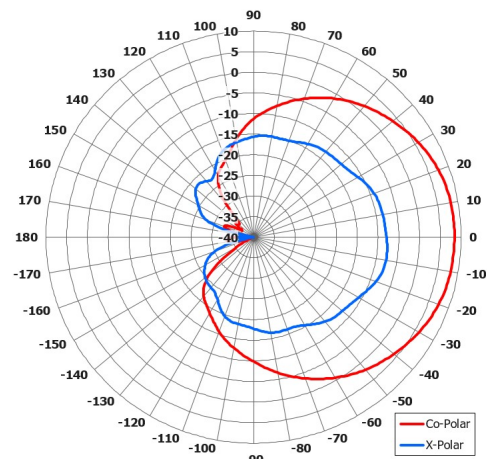
Directional pattern

Heavy duty design

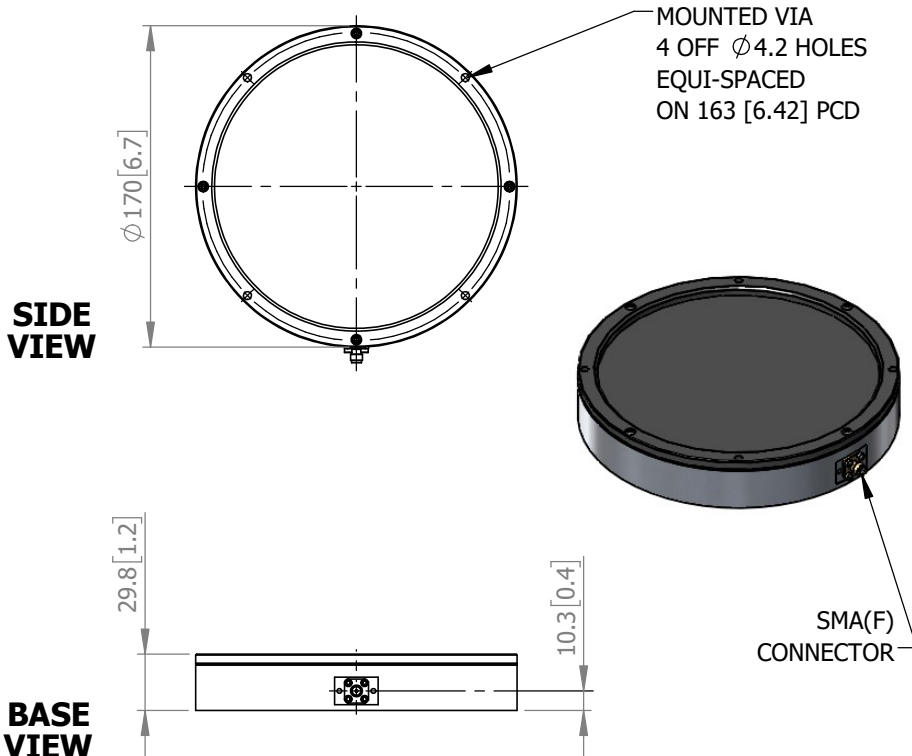
Circularly polarised



Azimuth Polar Plot



Elevation Polar Plot



ELECTRICAL

Frequency:	1.52 - 1.66 GHz
Gain:	8 dBiC Typ
Polarisation:	Right hand circular
Beamwidth:	65° (Az) x 65° (El) Approx
Axial Ratio:	3 dB Typ
VSWR:	<1.5:1
Power Rating:	15 W
Front to Back:	20 dB Min

MECHANICAL

Standard Finish:	Matt black radome
Mass:	0.9 kg / 1.98 lbs
Temperature:	-20 to +50°C
Wind Loading:	N/A

MOUNTING OPTIONS

Kits Available:	N/A
------------------------	-----

See Separate Data Sheets

DS: 0341-3 Issued: 050620
Dimensions: mm [inches] M

Chelton Limited has a policy of continuous development and stress that the information provided is a guide only and does not constitute an offer or contract or part thereof. Whilst every effort is made to ensure the accuracy of the information contained in this brochure, no responsibility can be accepted for any errors or omissions.

The copyright of antenna designs and images is copyright protected and owned by Chelton Limited.
©Chelton Limited

For further information please contact:
Chelton Limited,
Lambda House, Cheveley,
Newmarket, Suffolk CB8 9RG, UK.
T: +44 (0)1638 732 177
E: newmarket.sales@chelton.com
W: www.chelton.com/microwave