

RCO3-149/1062

Omni Antenna



Key Features

Designed for UAV Data Link

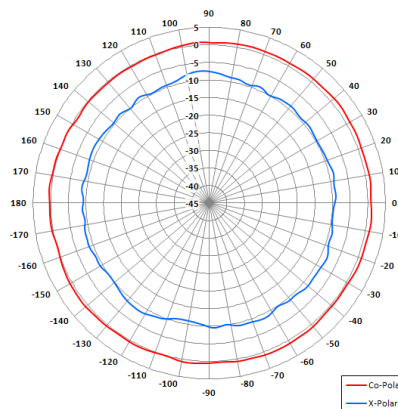
Applications

Right Hand Circular Polarised

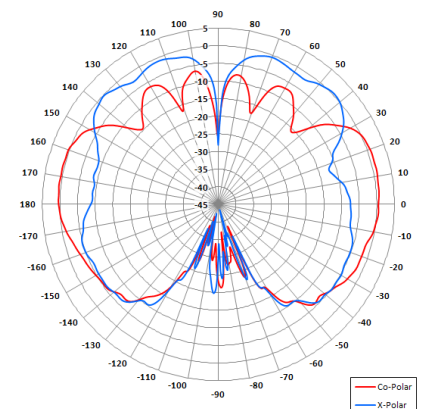
Lightweight

Rugged

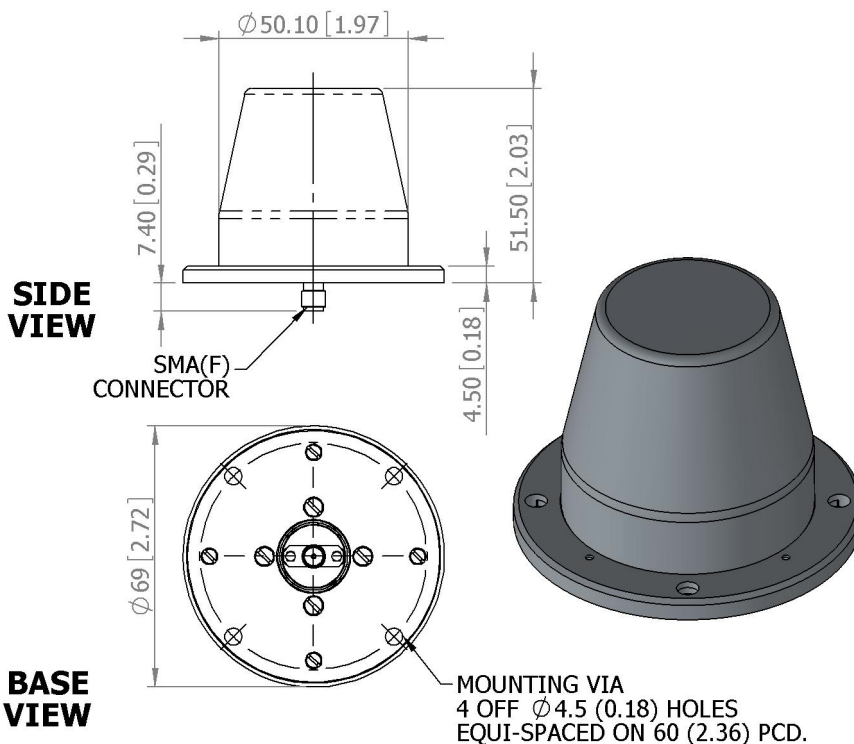
Compact



Azimuth Pattern



Elevation Pattern



GA: 1062

ELECTRICAL

Frequency	14.40 - 15.35 GHz
Gain	0.5 dBiC Nom. @ +10° Elevation
Polarisation	Right Hand Circular
Beamwidth	360° (Az) x 45° (El) Approx.
Axial Ratio	8 dB Typ
VSWR	1.5:1
Power Rating	100 W
Front to Back	N/A
Electrical Tilt	10° Up Approx.

MECHANICAL

Standard Finish	Comouflage Grey to BS381C-626
Mass	150g (5.29 oz)
Temperature	-40° to +71°C
Wind Loading	346g (12.2 oz) @ 100mph

MOUNTING OPTIONS

Kits Available	N/A
See separate data sheets	

ADDITIONAL NOTES

Issued 200911

Chelton Limited has a policy of continuous development and stress that the information provided is a guide only and does not constitute an offer or contract or part thereof. Whilst every effort is made to ensure the accuracy of the information contained in this brochure, no responsibility can be accepted for any errors or omissions.

The copyright of antenna designs and images is copyright protected and owned by Chelton Limited.
©Chelton Limited

For further information please contact:
Chelton Limited,
Lambda House, Cheveley,
Newmarket, Suffolk CB8 9RG, UK.
T: +44 (0)1638 732 177
E: newmarket.sales@chelton.com
W: www.chelton.com/microwave