

# RCO3-149/1422

Omni Antenna



## Key Features

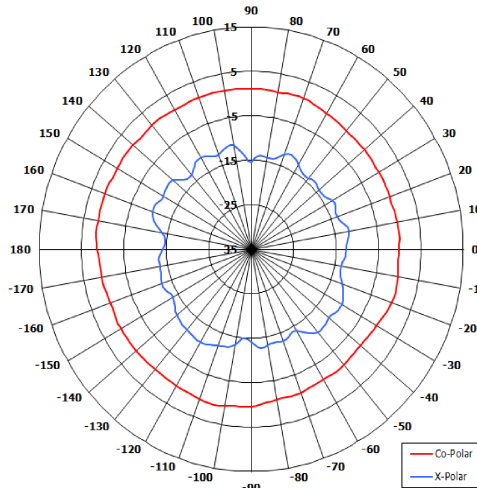
Designed for UAV Data Link Applications

Right Hand Circular Polarised

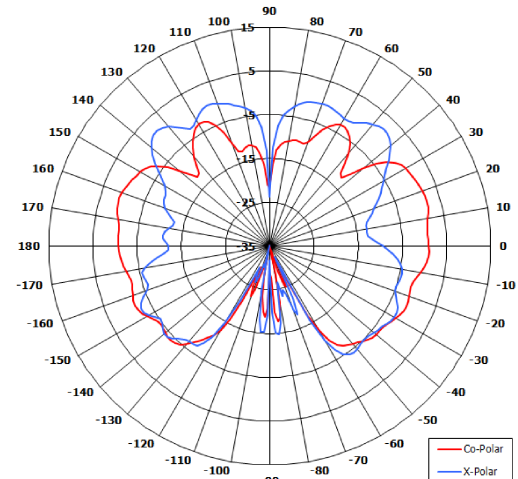
Lightweight

Rugged

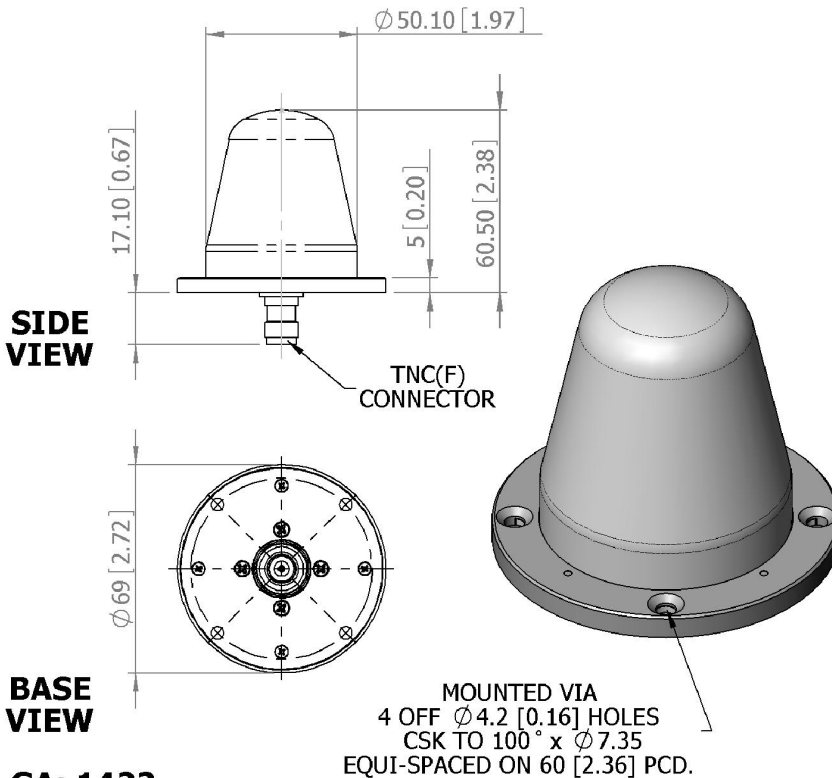
Compact



Azimuth Polar Plot



Elevation Polar Plot



**SIDE VIEW**

**BASE VIEW**

**GA: 1422**

## ELECTRICAL

<b>Frequency:</b>	14.40-15.40 GHz
<b>Gain:</b>	2.0 dBiC Nom.
<b>Polarisation:</b>	Right Hand Circular
<b>Beamwidth:</b>	360° (Az) x 50° (El) Approx.
<b>Axial Ratio:</b>	5 dB Typ.
<b>VSWR:</b>	1.5:1
<b>Power Rating:</b>	100 W
<b>Electrical Tilt:</b>	10° Up

## MECHANICAL

<b>Standard Finish:</b>	MIL PRF 85285 BS2X348 BS381 C 626 Grey Matt
<b>Mass:</b>	120g / 4.24 oz
<b>Temperature:</b>	-40° to +71°C
<b>Wind Loading:</b>	0.35 Kg / 0.77 lbs @ 100 mph

## MOUNTING OPTIONS

<b>Kits Available:</b>	N/A
<b>See Separate Data Sheets</b>	

<b>DS:</b> 1422-4	<b>Issued:</b> 140518
<b>Dimensions:</b> mm [inches]	<b>M</b>

Chelton Limited has a policy of continuous development and stress that the information provided is a guide only and does not constitute an offer or contract or part thereof. Whilst every effort is made to ensure the accuracy of the information contained in this brochure, no responsibility can be accepted for any errors or omissions.

The copyright of antenna designs and images is copyright protected and owned by Chelton Limited.  
©Chelton Limited

For further information please contact:  
Chelton Limited,  
Lambda House, Cheveley,  
Newmarket, Suffolk CB8 9RG, UK.  
T: +44 (0)1638 732 177  
E: newmarket.sales@chelton.com  
W: www.chelton.com/microwave