

# DOA8-5.8V/2007

Dual Omni Antenna



## Key Features

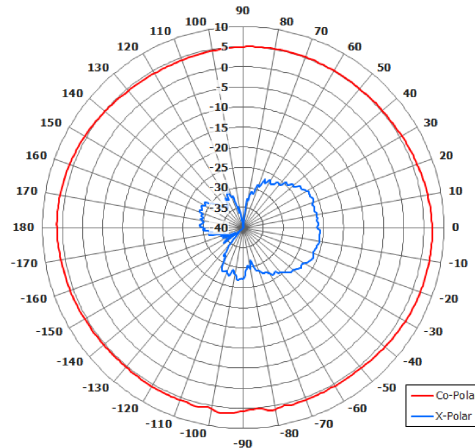
Diversity Omni Antenna

Vertical Polarisation

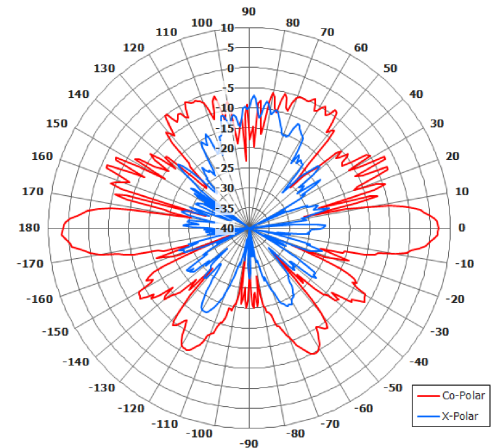
Designed for Unmanned System Applications

Suitable for Outdoor Applications

Ground Plane Independent

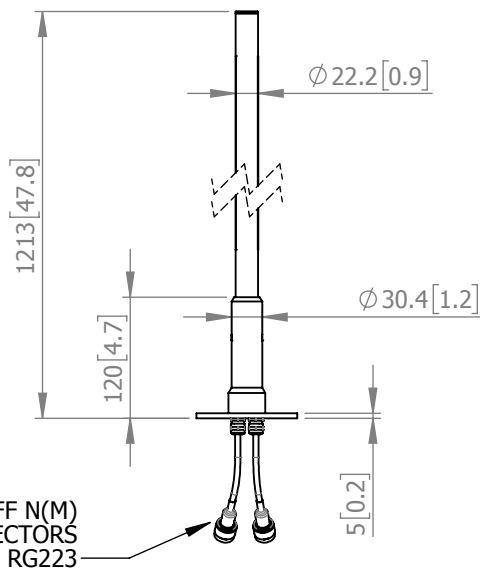


Azimuth Polar Plot

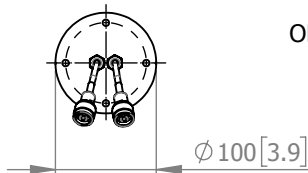


Elevation Polar Plot

**SIDE VIEW**



**BASE VIEW**



MOUNTED VIA  
4 OFF  $\phi$ 6.5 HOLES  
EQUI-SPACED  
ON 80 [3.15] PCD

## ELECTRICAL

**Frequency:** 5.40 - 5.85 GHz

**Gain:** 8.0 dBi Typ.

**Polarisation:** Linear (Vertical)

**Beamwidth:** 360° (Az) x 10° (El) Approx.

**Cross Polar:** >25 dB

**VSWR:** 2:1 Typ, <2.5:1 Max

**Power Rating:** 25 W

**Front to Back:** N/A

**Electrical Tilt:** 0°

## MECHANICAL

**Standard Finish:** Matt Black

**Mass:** 791 g / 1.7 lbs

**Temperature:** -40° to +60°C

**Wind Loading:** N/A

## MOUNTING OPTIONS

**Kits Available:** N/A

See Separate Data Sheets

**DS:** 2007-2 **Issued:** 091117

**Dimensions:** mm [inches] **M**

Chelton Limited has a policy of continuous development and stress that the information provided is a guide only and does not constitute an offer or contract or part thereof. Whilst every effort is made to ensure the accuracy of the information contained in this brochure, no responsibility can be accepted for any errors or omissions.

The copyright of antenna designs and images is copyright protected and owned by Chelton Limited.  
©Chelton Limited

For further information please contact:

Chelton Limited,  
Lambda House, Cheveley,  
Newmarket, Suffolk CB8 9RG, UK.

T: +44 (0)1638 732 177

E: [newmarket.sales@chelton.com](mailto:newmarket.sales@chelton.com)

W: [www.chelton.com/microwave](http://www.chelton.com/microwave)