

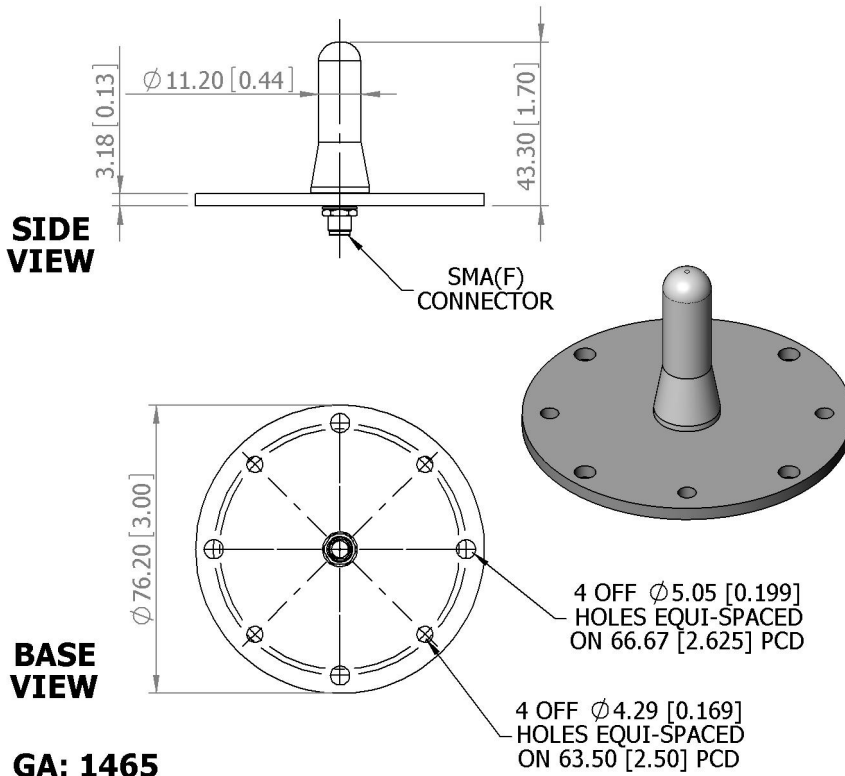
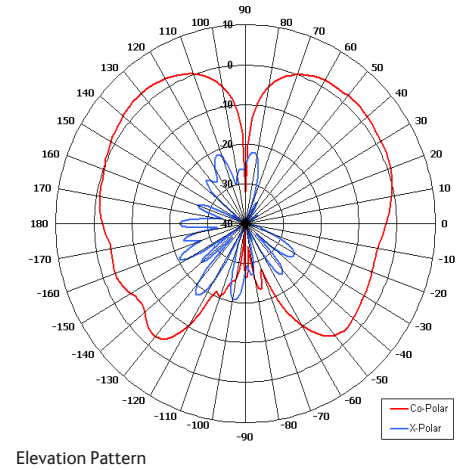
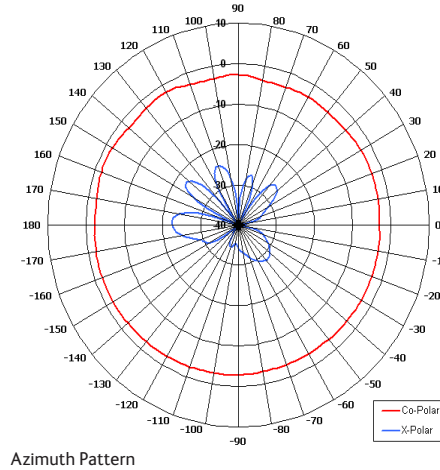
OA3-4.8V/1465

Omni Antenna



Key Features

- Designed for Broadcast Applications
- Suitable for Air to Ground Telemetry Link
- Suitable for Ground Based Applications
- Lightweight



ELECTRICAL

Frequency	4.40 - 5.20 GHz
Gain	3.0 dBi Nom Peak
Polarisation	Linear (Vertical)
Beamwidth	360° (Az) x 48° (El) Approx
Cross Polar	>20 dB Typ
VSWR	2.32:1 Max , 2:1 Typ
Power Rating	30 W
Front to Back	N/A

MECHANICAL

Standard Finish	Light Grey
Mass	42g (1.478 oz)
Temperature	-20° to +55°C
Wind Loading	N/A

MOUNTING OPTIONS

Kits Available	N/A
See separate data sheets	

ADDITIONAL NOTES

Issued 140613

Chelton Limited has a policy of continuous development and stress that the information provided is a guide only and does not constitute an offer or contract or part thereof. Whilst every effort is made to ensure the accuracy of the information contained in this brochure, no responsibility can be accepted for any errors or omissions.

The copyright of antenna designs and images is copyright protected and owned by Chelton Limited.
©Chelton Limited

For further information please contact:
Chelton Limited,
Lambda House, Cheveley,
Newmarket, Suffolk CB8 9RG, UK.
T: +44 (0)1638 732 177
E: newmarket.sales@chelton.com
W: www.chelton.com/microwave