

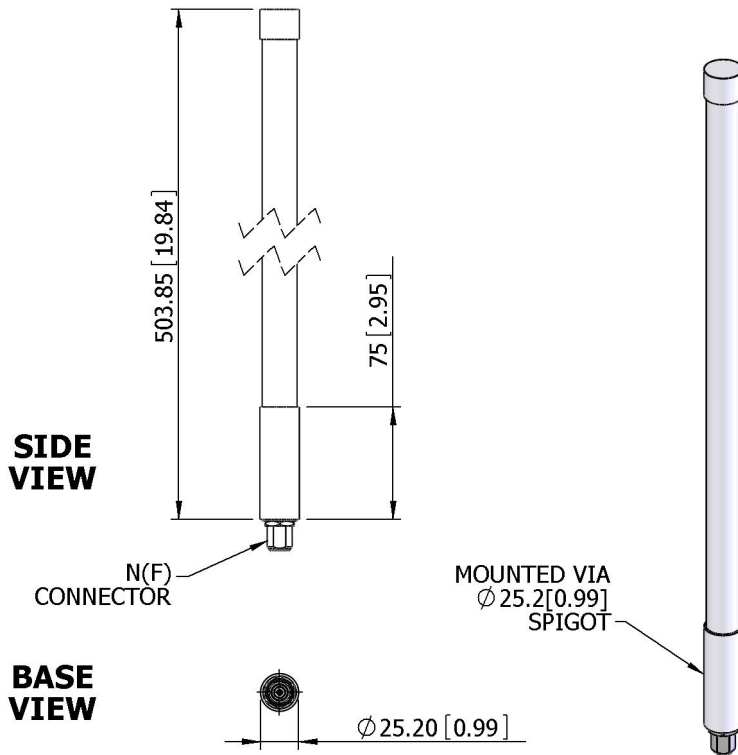
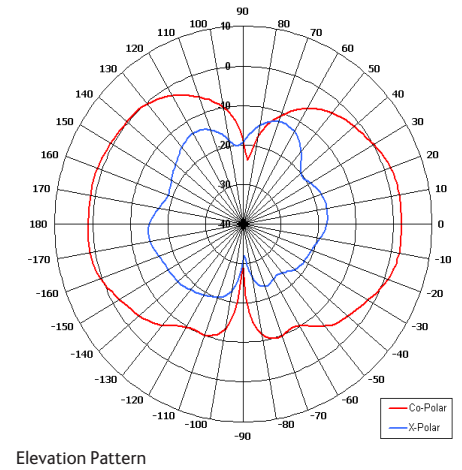
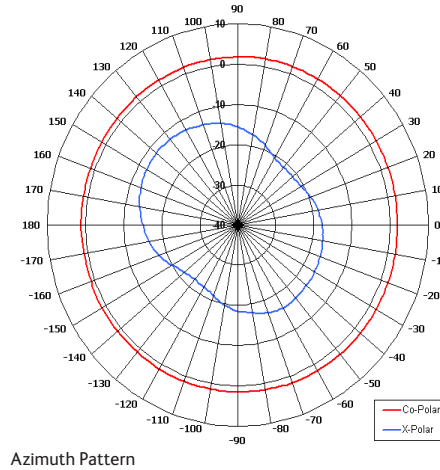
EVD2-458/058

Rugged Omni Antenna



Key Features

- Designed for Telemetry Applications
- Suitable for Outdoor Applications
- Rugged Design
- Colour Options Available
- Ground Plane Independent



GA: 0058

ELECTRICAL

| | |
|---------------|-----------------------------|
| Frequency | 453 - 463 MHz |
| Gain | 2 dBi Nom |
| Polarisation | Linear (Vertical) |
| Beamwidth | 360° (Az) x 80° (El) Approx |
| Cross Polar | 20 dB |
| VSWR | 2:1 Max |
| Power Rating | 50 W |
| Front to Back | N/A |

MECHANICAL

| | |
|-----------------|---------------------------|
| Standard Finish | White |
| Mass | 0.2 Kg (0.44 lbs) |
| Temperature | -20° to +50°C |
| Wind Loading | 1.9 Kg (4.1 lbs) @ 100mph |

MOUNTING OPTIONS

| | |
|--------------------------|-----|
| Kits Available | N/A |
| See separate data sheets | |

ADDITIONAL NOTES

Issued 150710

Chelton Limited has a policy of continuous development and stress that the information provided is a guide only and does not constitute an offer or contract or part thereof. Whilst every effort is made to ensure the accuracy of the information contained in this brochure, no responsibility can be accepted for any errors or omissions.

The copyright of antenna designs and images is copyright protected and owned by Chelton Limited.
©Chelton Limited

For further information please contact:
Chelton Limited,
Lambda House, Cheveley,
Newmarket, Suffolk CB8 9RG, UK.
T: +44 (0)1638 732 177
E: newmarket.sales@chelton.com
W: www.chelton.com/microwave