

FPA19-55V/448

Directional Antenna



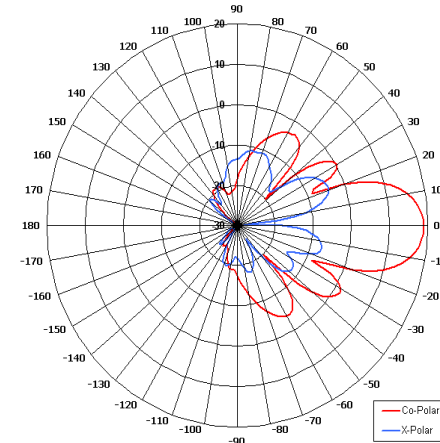
Key Features

Designed for WLAN Applications

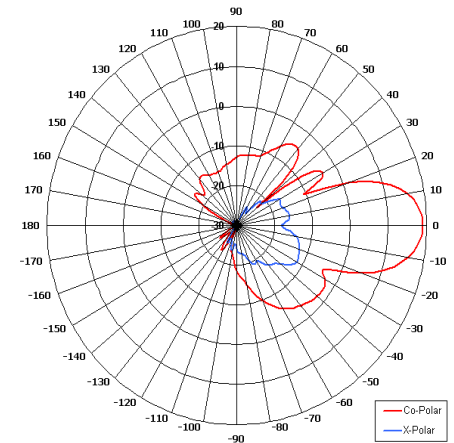
Suitable for Multiple Applications

Heavy Duty

Low Profile

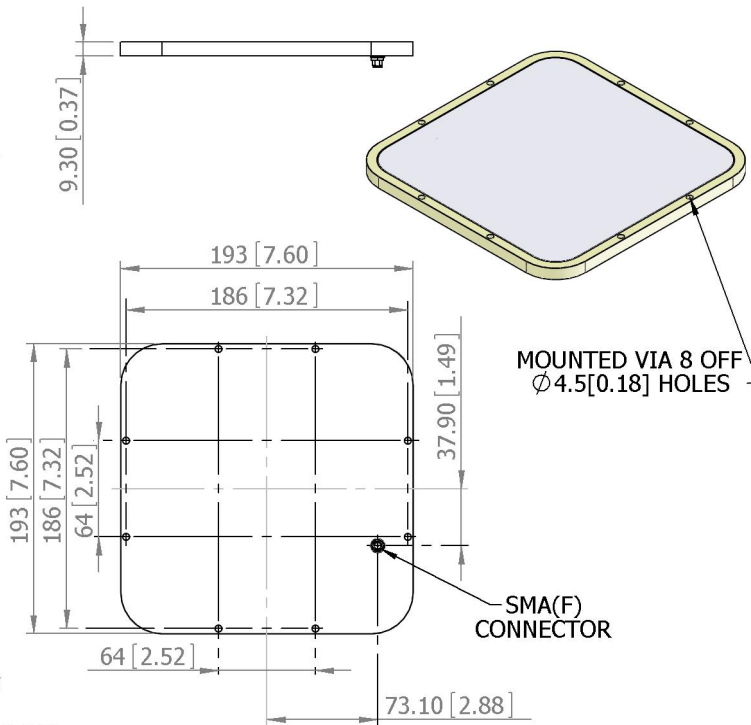


Azimuth Pattern



Elevation Pattern

SIDE VIEW



BASE VIEW

GA: 0448

ELECTRICAL

Frequency	5.25 - 5.825 GHz
Gain	18 dBi Nom
Polarisation	Linear (Vertical)
Beamwidth	20° (Az) x 20° (El) Approx
Cross Polar	20 dB Typ
VSWR	1.5:1
Power Rating	5 W
Front to Back	30 dB

MECHANICAL

Standard Finish	White
Mass	0.611 Kg (1.34 lbs)
Temperature	-20° to +50°C
Wind Loading	6.04 Kg (13.29 lbs) @ 100mph

MOUNTING OPTIONS

Kits Available	N/A
See separate data sheets	

ADDITIONAL NOTES

Issued 250310

Chelton Limited has a policy of continuous development and stress that the information provided is a guide only and does not constitute an offer or contract or part thereof. Whilst every effort is made to ensure the accuracy of the information contained in this brochure, no responsibility can be accepted for any errors or omissions.

The copyright of antenna designs and images is copyright protected and owned by Chelton Limited.
©Chelton Limited

For further information please contact:

Chelton Limited,
Lambda House, Cheveley,
Newmarket, Suffolk CB8 9RG, UK.

T: +44 (0)1638 732 177

E: newmarket.sales@chelton.com

W: www.chelton.com/microwave