

PSA-10401L/1169

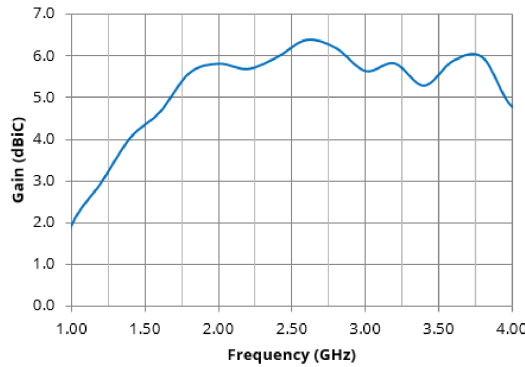
Directional Antenna

Key Features:

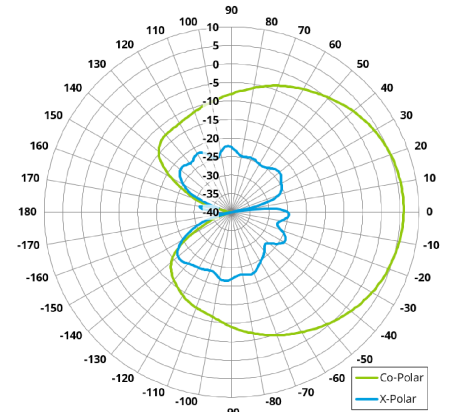
Designed for surveillance applications

Ultra wideband performance

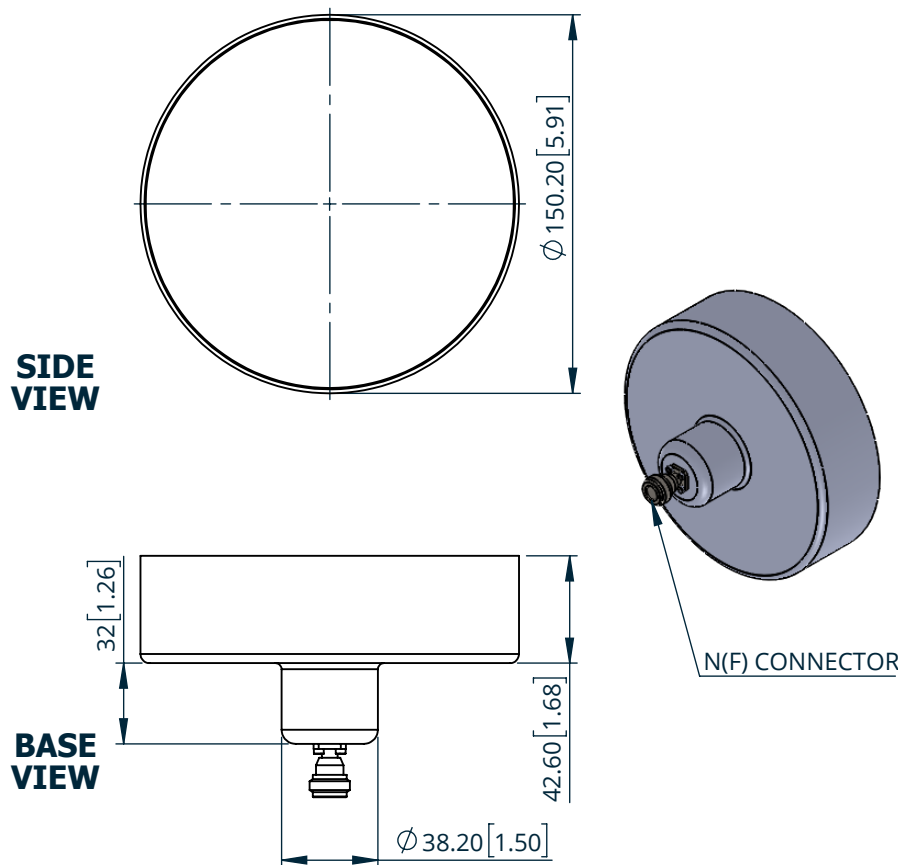
Lightweight design



Typical Gain Plot



Elevation Polar Plot (@ 2.6 GHz)



ELECTRICAL

Frequency:	1 to 4 GHz
Gain:	See typical gain chart above
Polarisation:	Left hand circular
Beamwidth:	90° x 90° Typ.
Axial Ratio:	<1 dB Typ.
VSWR:	2:1 Max.
Power Rating:	5 W Max.

MECHANICAL

Standard Finish:	White radome
Mass:	0.33 Kg / 0.7 lbs
Temperature:	-20 to +50°C
Wind Loading:	14 N @ 100 mph

Full radiation patterns and CAD available on request

DS: 1169-2

Issued: 080921

Dimensions: mm [inches]