

# EVD2-1400-D1/1248

## Extra Rugged Dipole Antenna



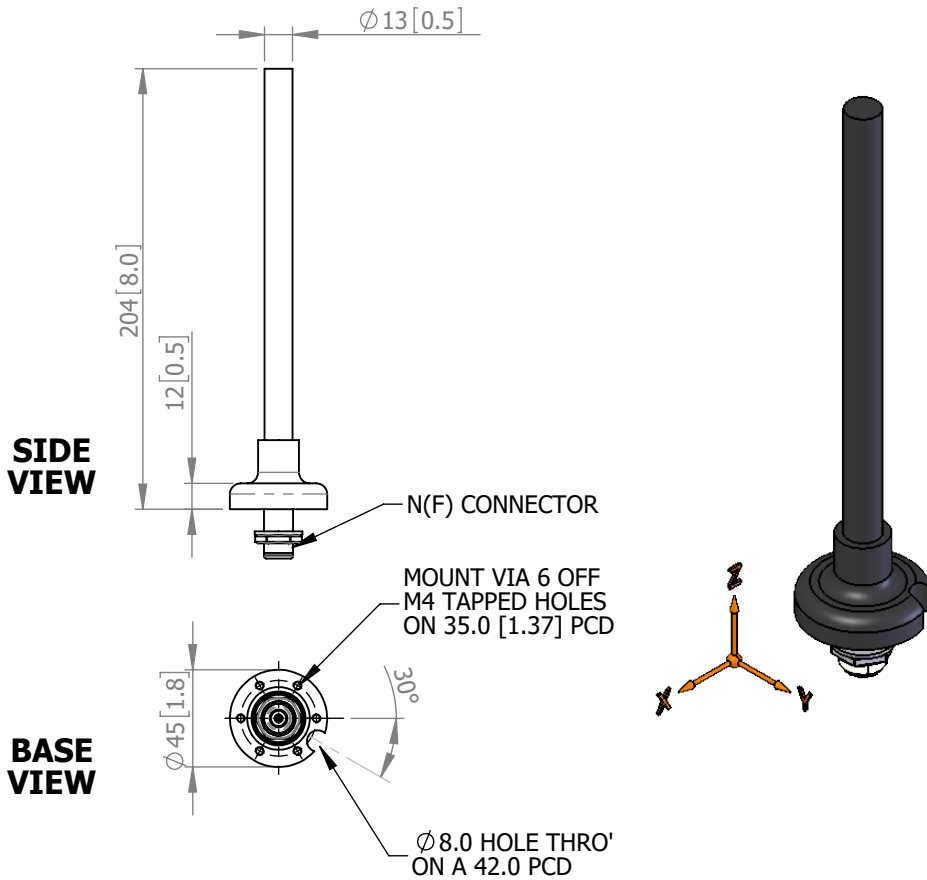
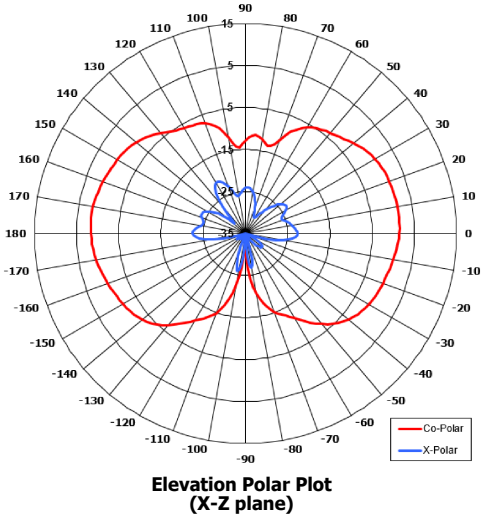
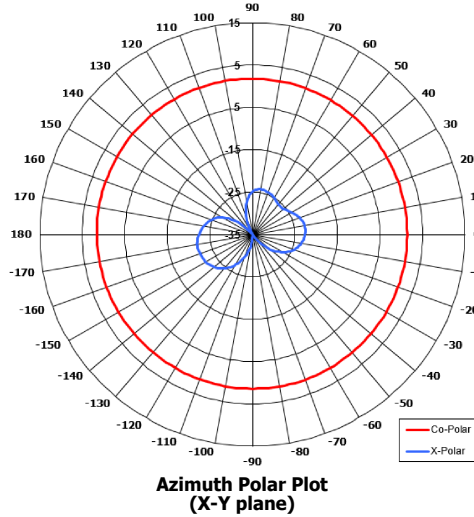
### Key Features

Suitable for Airborn Applications

Designed for UAV Datalink Applications

Suitable for Air to Ground Telemetry Link

Ground Plane Independent



### ELECTRICAL

Frequency:	1.35 - 1.45 GHz
Gain:	2 dBi Nom.
Polarisation:	Linear (Vertical)
Beamwidth:	360° (Az) x 80° (El) Approx.
Cross Polar:	15 - 20 dB Typ.
VSWR:	2:1
Power Rating:	10 W
Front to Back:	N/A

### MECHANICAL

Standard Finish:	Matt Black
Mass:	210 g / 7.5 oz
Temperature:	-40° to +50°C
Wind Loading:	5.5 N @ 100 mph

### MOUNTING OPTIONS

Kits Available:	N/A
See Separate Data Sheets	

DS: 1248-7 Issued: 260620  
Dimensions: mm [inches] M

Chelton Limited has a policy of continuous development and stress that the information provided is a guide only and does not constitute an offer or contract or part thereof. Whilst every effort is made to ensure the accuracy of the information contained in this brochure, no responsibility can be accepted for any errors or omissions.

The copyright of antenna designs and images is copyright protected and owned by Chelton Limited.  
©Chelton Limited

For further information please contact:  
Chelton Limited,  
Lambda House, Cheveley,  
Newmarket, Suffolk CB8 9RG, UK.  
T: +44 (0)1638 732 177  
E: newmarket.sales@chelton.com  
W: www.chelton.com/microwave