

PSA0218R/1362

Directional Antenna

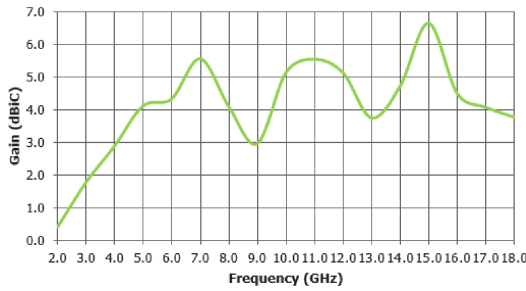
Key Features:

Designed for electronic warfare applications

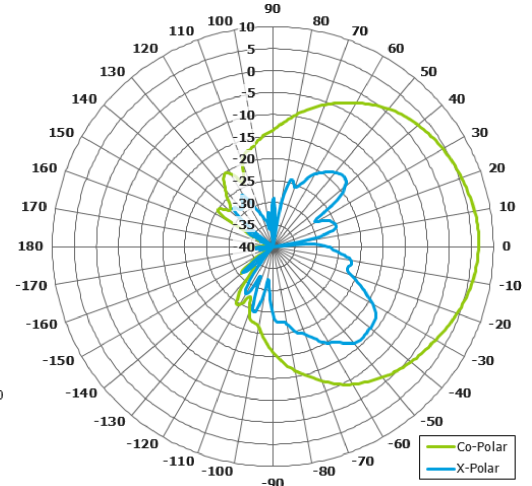
Ultra wideband performance

Suitable for DF arrays

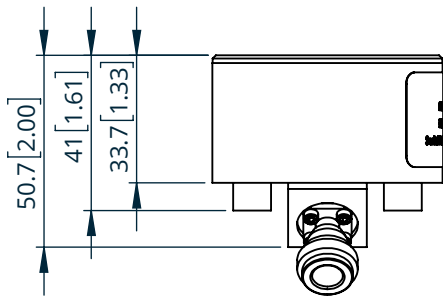
Phase and amplitude testing available



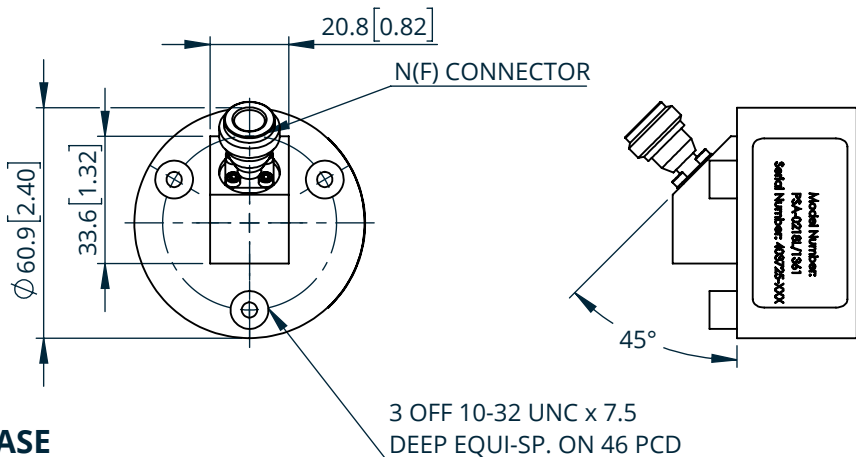
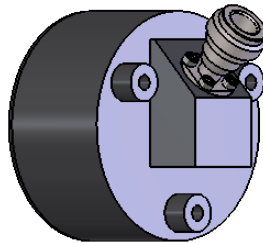
Typical Gain Plot



Azimuth Polar Plot (@ 15 GHz)



SIDE VIEW



BASE VIEW

ELECTRICAL

Frequency:	2 to 18 GHz
Gain:	See typical gain plot
Polarisation:	Right hand circular
Beamwidth:	60° x 88° Typ.
Axial Ratio:	1 dB Typ.
VSWR:	3:1 Max, <2:1 Typ.
Power Rating:	2 W

MECHANICAL

Standard Finish:	Black 27038 per Def-Std-595
Mass:	85 g / 2 oz
Temperature:	-40 to +60°C

Full radiation patterns and CAD available on request

DS: 1362-3

Issued: 090721

Dimensions: mm [inches]