

FPA17-1.6L/1426

Directional Antenna

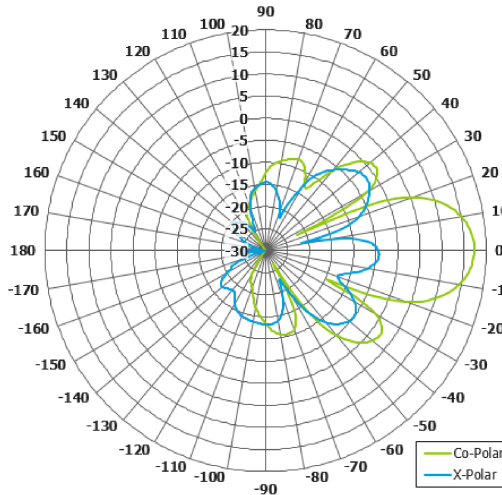
Key Features:

Designed as remote interface for the ThurayaIP terminal

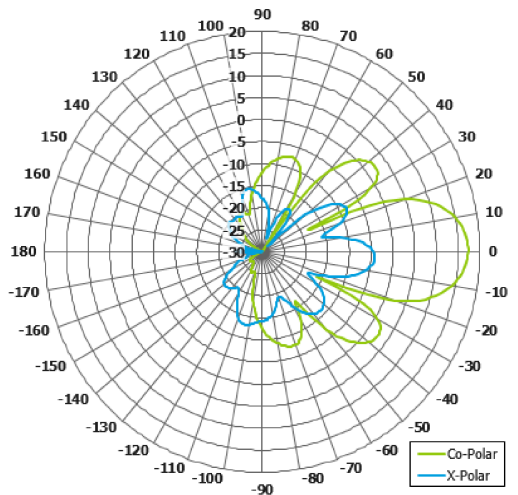
High gain directional antenna

Integrated active GPS antenna

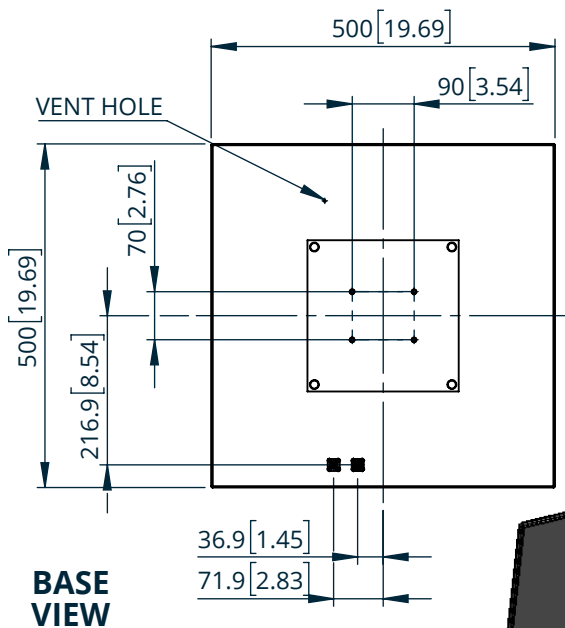
Low profile lightweight design



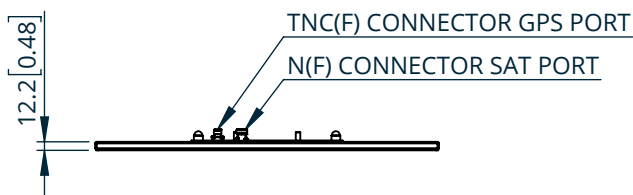
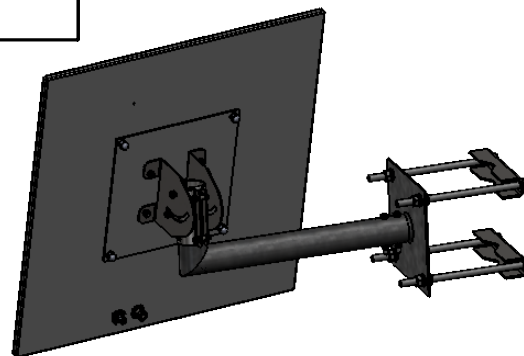
Azimuth Polar Plot
(@ 1.59 GHz)



Elevation Polar Plot
(@ 1.59 GHz)



BASE VIEW



SIDE VIEW

ELECTRICAL

Frequency: 1.5250 to 1.6605 GHz

Gain: 16.8 dBiC Typ.

Polarisation: Left hand circular

Beamwidth: 22° x 21° Typ.

Axial Ratio: <2 dB Typ.

VSWR: <1.5:1

Power Rating: 10 W

MECHANICAL

Standard Finish: White

Mass: 1.7 Kg / 3.7 lbs

Temperature: -50 to +60°C

Wind Loading: 367.19 N @ 100 mph

MOUNTING OPTIONS

Kits Available: MK8/A & MK8/B

See separate datasheets

NOTES

Shows optional MK8/B for pole mounting, also available is MK8/A for wall mounting.

Full radiation patterns and CAD available on request

DS: 1426-4

Issued: 060721