

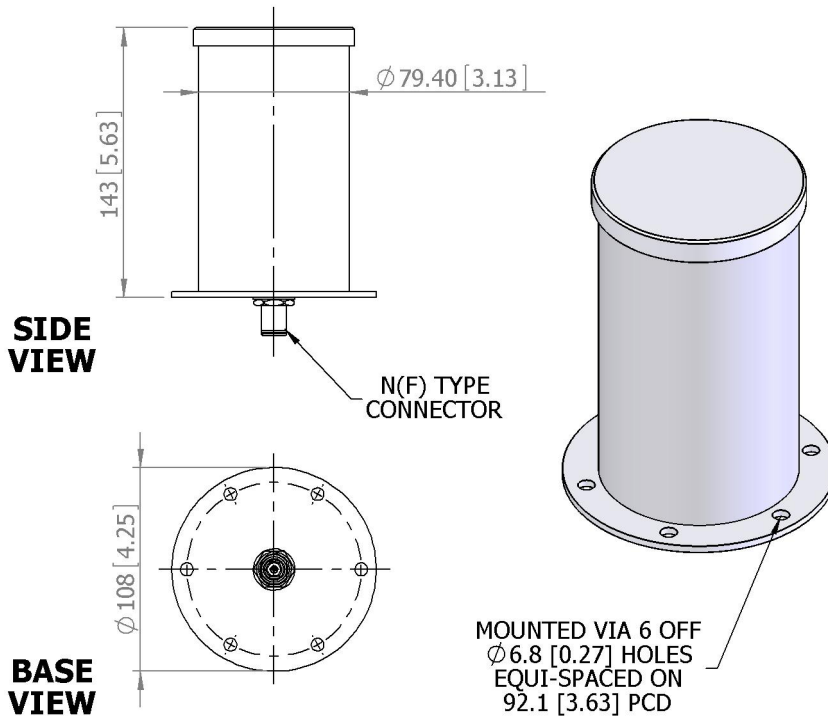
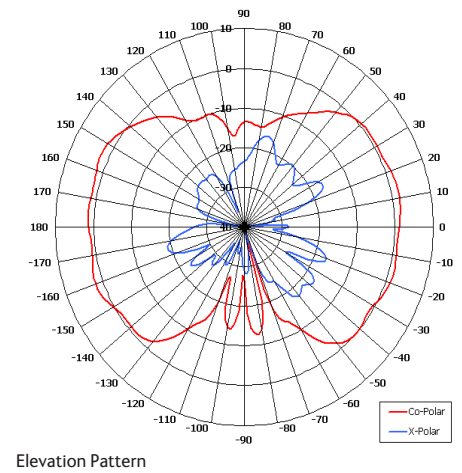
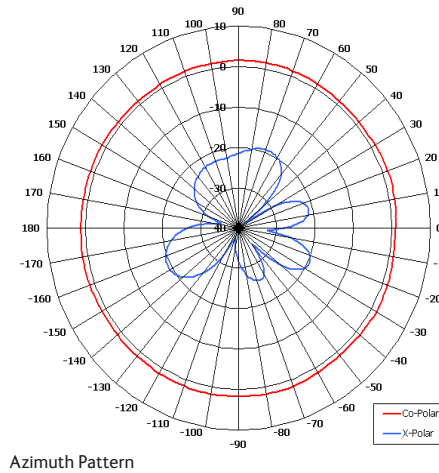
XPO2V-0.8-6.0-GF/1441



Omni Antenna

Key Features

- Ultra Wideband
- Suitable for Multiple Applications Rugged
- Low Azimuth Ripple
- Colour Options



ELECTRICAL

Frequency	0.80 - 6.00 GHz
Gain	2.0 dBi Nom
Polarisation	Linear (Vertical)
Beamwidth	360° (Az) x 75° (El) Approx
Cross Polar	18 dB Typ
VSWR	2.5:1 Max, 1.7:1 Typ
Power Rating	100 W
Front to Back	N/A

MECHANICAL

Standard Finish	White
Mass	325g (0.715 lbs)
Temperature	-20° to +50°C
Wind Loading	1.94 Kg(4.27 lbs) @ 100mph

MOUNTING OPTIONS

Kits Available	N/A
See separate data sheets	

ADDITIONAL NOTES

GA: 1441

Chelton Limited has a policy of continuous development and stress that the information provided is a guide only and does not constitute an offer or contract or part thereof. Whilst every effort is made to ensure the accuracy of the information contained in this brochure, no responsibility can be accepted for any errors or omissions.

The copyright of antenna designs and images is copyright protected and owned by Chelton Limited.
 ©Chelton Limited

Issued 060510

For further information please contact:

Chelton Limited,
 Lambda House, Cheveley,
 Newmarket, Suffolk CB8 9RG, UK.
 T: +44 (0)1638 732 177
 E: newmarket.sales@cobham.com
 W: www.chelton.com/microwave