

FPA15-1.6L-GPS/1535

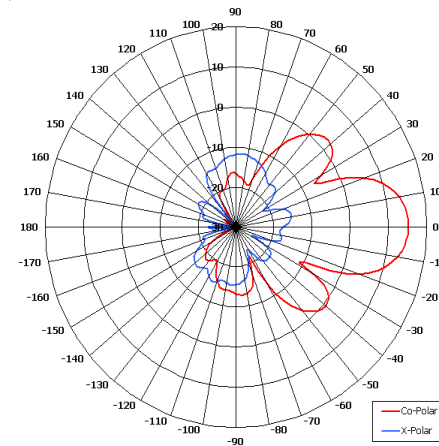
Flat Panel Antenna



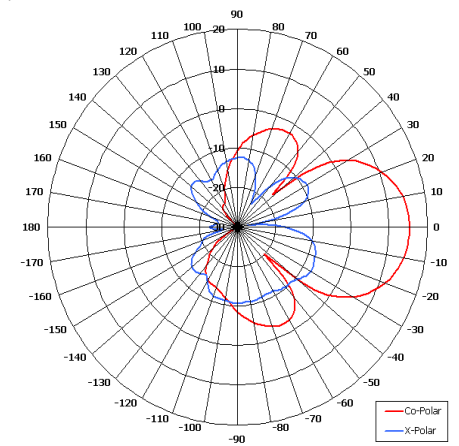
Key Features

Designed for Thuraya Satellite
Network Integrated Active GPS
Antenna
Portable
Quick Field Deployable Mount

NATO STOCK NUMBER
5985-99-151-4724

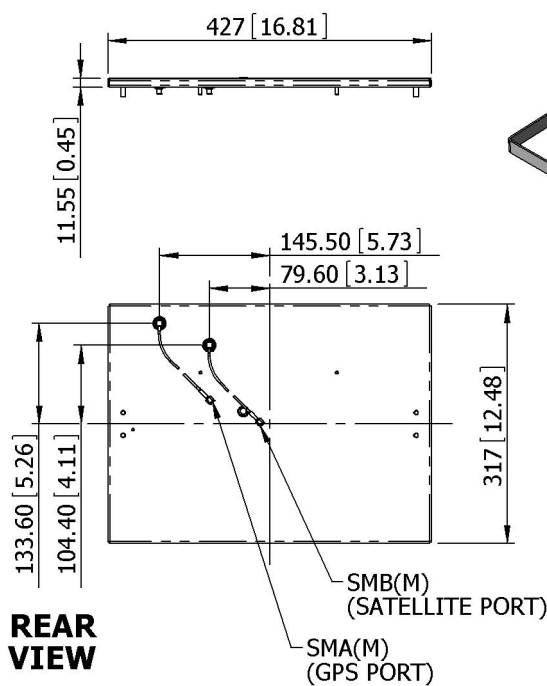


Azimuth Pattern



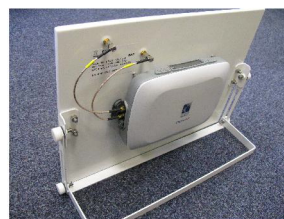
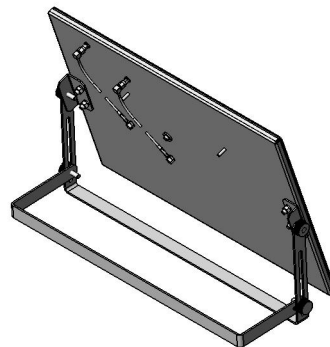
Elevation Pattern

TOP VIEW



REAR VIEW

GA: 1535



ThurayaIP® unit mounted on antenna (unit not supplied).

ELECTRICAL

Frequency	1.52 - 1.66 GHz
Gain	>15 dBiC Nom
Polarisation	Left Hand Circular
Beamwidth	22° (Az) x 32° (El) Approx
Axial Ratio	3.0 dB Typ
VSWR	1.5:1
Power Rating	10 W
Front to Back	>35 dB
Connectors	SMA(M) on 200mm cable for GPS SMB(M) on 200mm cable for Satellite

MECHANICAL

Standard Finish	Gloss White
Mass	1.8 Kg (4.0 lbs)
Temperature	-40° to +60°C
Wind Loading	N/A

MOUNTING OPTIONS

Kits available	Adjustable Legs (supplied as shown)
----------------	-------------------------------------

See separate data sheets

ADDITIONAL NOTES

Issued 080710

Chelton Limited has a policy of continuous development and stress that the information provided is a guide only and does not constitute an offer or contract or part thereof. Whilst every effort is made to ensure the accuracy of the information contained in this brochure, no responsibility can be accepted for any errors or omissions.

The copyright of antenna designs and images is copyright protected and owned by Chelton Limited.
©Chelton Limited

For further information please contact:
Chelton Limited,
Lambda House, Cheveley,
Newmarket, Suffolk CB8 9RG, UK.
T: +44 (0)1638 732 177
E: newmarket.sales@chelton.com
W: www.chelton.com/microwave