

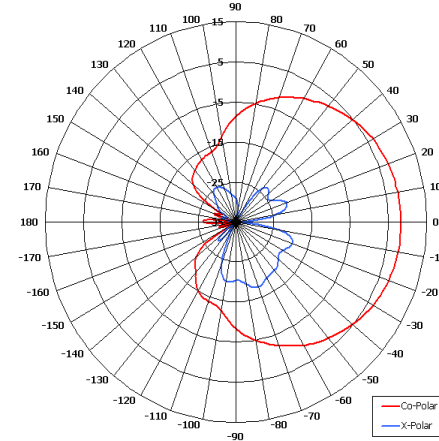
FPA8-2.3V/1601

Low Profile Antenna

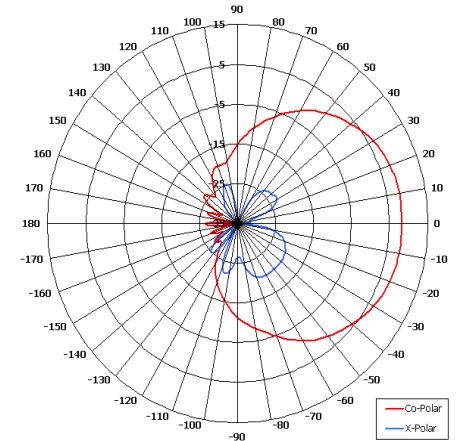


Key Features

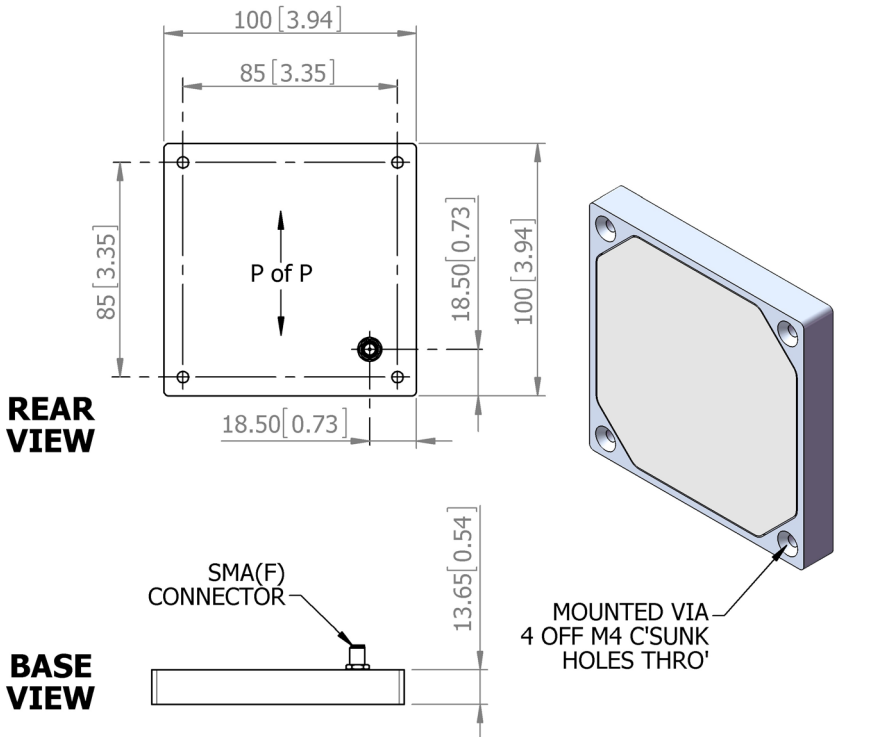
- Designed for Missile Technology
- Applications Suitable for UAV Data Link Applications Rugged
- Lightweight
- Suitable for Ground to Air Links



Azimuth Pattern



Elevation Pattern



REAR VIEW

BASE VIEW

GA: 1601

P of P = Plane of Polarisation

ELECTRICAL

Frequency	2.20 - 2.40 GHz
Gain	8.4 dBi Nom
Polarisation	Linear (Vertical)
Beamwidth	71° (Az) x 66° (El) Approx
Cross Polar	>20 dB Typ
VSWR	1.5:1
Power Rating	20 W
Front to Back	>25 dB

MECHANICAL

Standard Finish	Gloss White Radome
Mass	200 g (7 oz) Approx
Temperature	-40° to +60°C
Wind Loading	N/A

MOUNTING OPTIONS

Kits Available	N/A
See separate data sheets	

ADDITIONAL NOTES

Issued 060515

Chelton Limited has a policy of continuous development and stress that the information provided is a guide only and does not constitute an offer or contract or part thereof. Whilst every effort is made to ensure the accuracy of the information contained in this brochure, no responsibility can be accepted for any errors or omissions.

The copyright of antenna designs and images is copyright protected and owned by Chelton Limited.
©Chelton Limited

For further information please contact:

Chelton Limited,
Lambda House, Cheveley,
Newmarket, Suffolk CB8 9RG, UK.
T: +44 (0)1638 732 177
E: newmarket.sales@chelton.com
W: www.chelton.com/microwave