

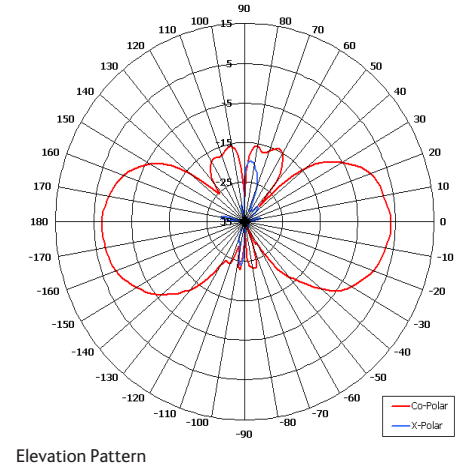
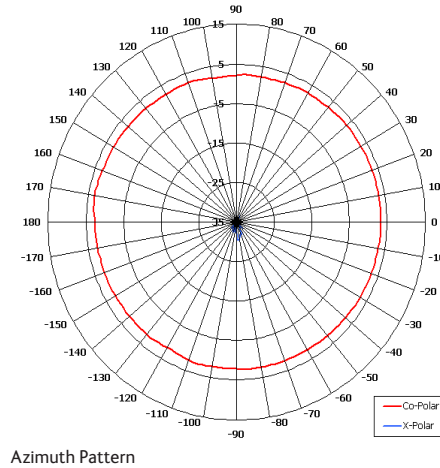
# OA4-1.8V/1641

Omni Antenna

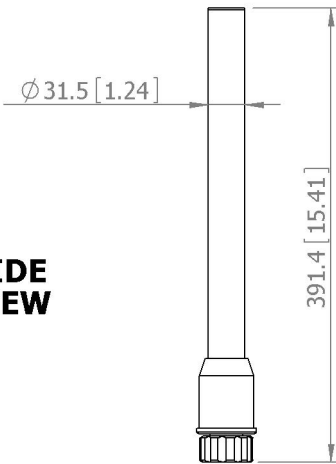


## Key Features

- Designed for Electronic Warfare
- Application Rugged
- Quick Field Deployable Mount
- Integrated with Spring Mount
- NATO Mounting Options



**SIDE VIEW**



**BASE VIEW**



QN(M) CONNECTOR



M36 SCREW COUPLING WITH INTERNAL O-RING, FOR USE WITH MK6/A OR B

**GA: 1641**

## ELECTRICAL

Frequency	1.71 - 1.88 GHz
Gain	4.4 dBi Nom
Polarisation	Linear (Vertical)
Beamwidth	360° (Az) x 38° (El) Approx
Cross Polar	>25 dB
VSWR	2:1 Max, 1.5:1 Typ
Power Rating	50 W
Electrical Tilt	-4° Typ

## MECHANICAL

Standard Finish	Military Green (Black Anodised)
Mass	394 g Approx
Temperature	-40° to +60°C
Wind Loading	2.27 Kg (5.0 lbs) @ 100 mph

## MOUNTING OPTIONS

Kits Available	MK6/A, MK6/B
----------------	--------------

See separate data sheets

## ADDITIONAL NOTES

Issued 120310

Chelton Limited has a policy of continuous development and stress that the information provided is a guide only and does not constitute an offer or contract or part thereof. Whilst every effort is made to ensure the accuracy of the information contained in this brochure, no responsibility can be accepted for any errors or omissions.

The copyright of antenna designs and images is copyright protected and owned by Chelton Limited.  
©Chelton Limited

For further information please contact:

Chelton Limited,  
Lambda House, Cheveley,  
Newmarket, Suffolk CB8 9RG, UK.  
T: +44 (0)1638 732 177  
E: [newmarket.sales@chelton.com](mailto:newmarket.sales@chelton.com)  
W: [www.chelton.com/microwave](http://www.chelton.com/microwave)