

SA16-90-4.7VH/2174

Dual Polar Sector Antenna

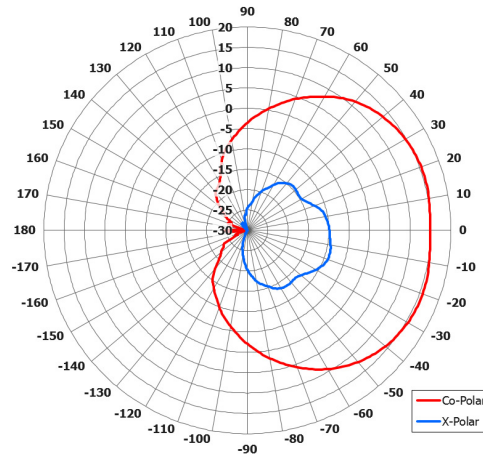


Key Features

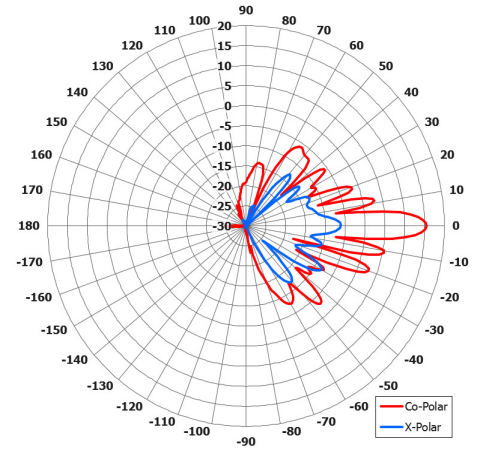
Vertical and Horizontal Polarisations within same aperture

Good Pattern Overlay

UV stable radome which could be painted

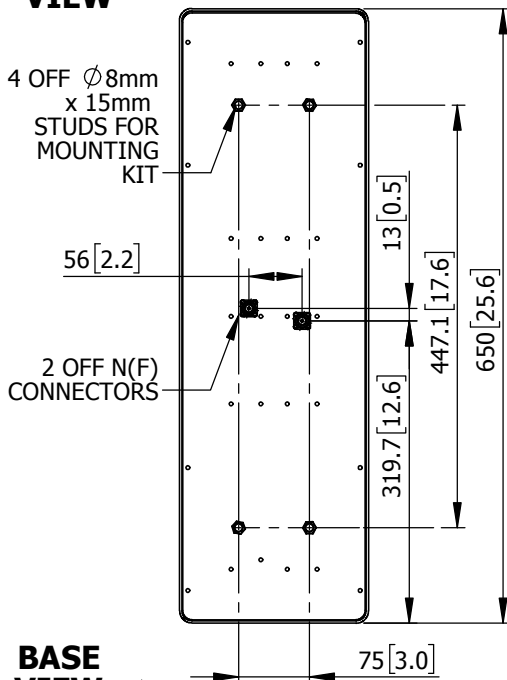


Azimuth Polar Plot (V Port)

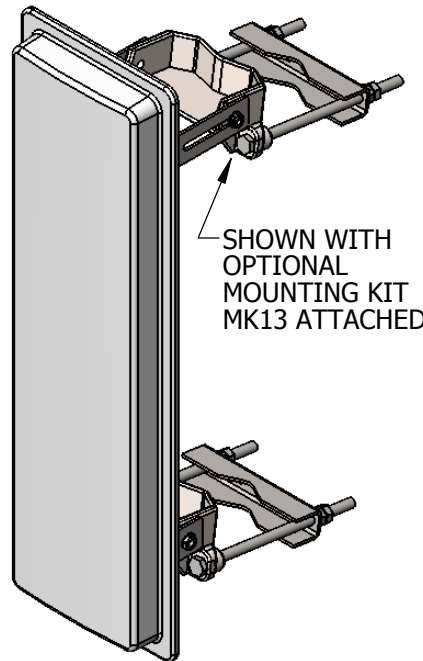
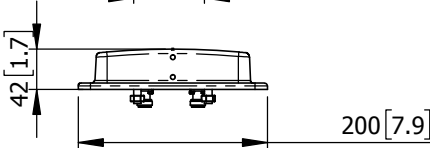


Elevation Polar Plot (V Port)

REAR VIEW



BASE VIEW



ELECTRICAL

Frequency:	4.4-5.0 GHz
Gain:	15.5 dBi Nom.
Polarisation:	Dual Linear (Vertical & Horizontal)
Beamwidth:	90° (Az) x 6-7° (El) Approx.
Cross Polar:	>20 dB
VSWR:	2:1 Max.
Power Rating:	30 W
Front to Back:	>20dB
Electrical Tilt:	0° Nom.
Isolation:	30dB Min.

MECHANICAL

Standard Finish:	White
Mass:	1.8Kg Approx Excluding Mount
Temperature:	-40° to +60°C
Wind Loading:	21 Kg / 46 lbs @ 100 mph
Wind Survival:	100 mph

MOUNTING OPTIONS

Kits Available: MK13 Optional
See Separate Data Sheets

DS: 2174-1 Issued: 010917
Dimensions: mm [inches] M

Chelton Limited has a policy of continuous development and stress that the information provided is a guide only and does not constitute an offer or contract or part thereof. Whilst every effort is made to ensure the accuracy of the information contained in this brochure, no responsibility can be accepted for any errors or omissions.

The copyright of antenna designs and images is copyright protected and owned by Chelton Limited.
©Chelton Limited

For further information please contact:
Chelton Limited,
Lambda House, Cheveley,
Newmarket, Suffolk CB8 9RG, UK.
T: +44 (0)1638 732 177
E: newmarket.sales@chelton.com
W: www.chelton.com/microwave