

FPA-0.7-3.0R/2184

Directional Antenna

Key Features:

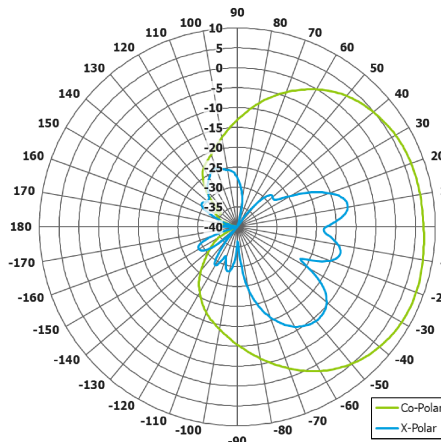
Designed for EW applications

High gain

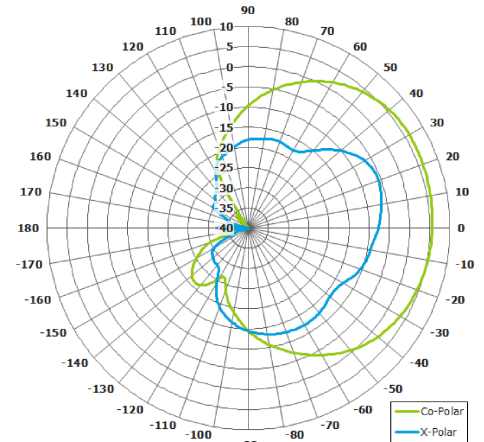
High power

Directional pattern

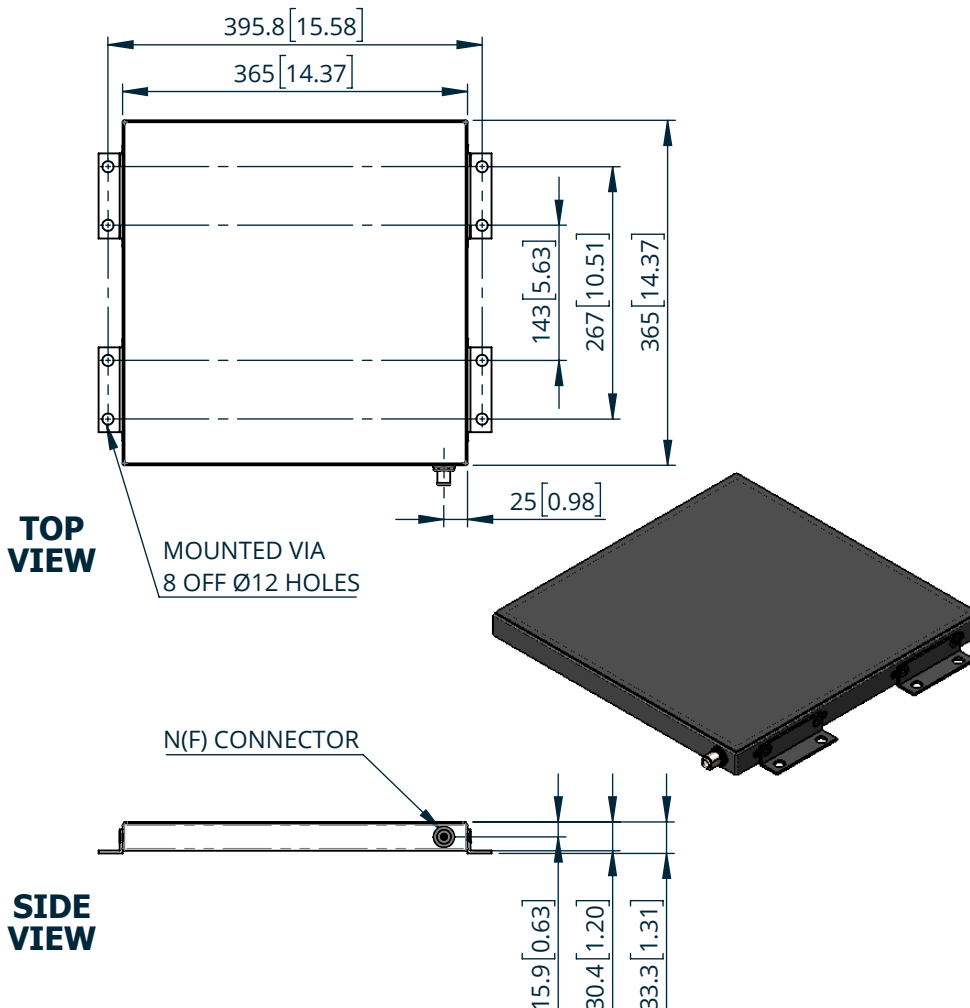
Rugged low profile design



**Azimuth Polar Plot
(@ 2.2 GHz)**



**Elevation Polar Plot
(@ 1.6 GHz)**



ELECTRICAL

Frequency:	0.7 to 3.0 GHz
Gain:	7 dBiC Typ.
Polarisation:	Right hand circular
Beamwidth:	70° x 70° Typ.
Axial Ratio:	2.0 dB Typ.
VSWR:	2.5:1 Max, 2:1 Typ.
Power Rating:	50 W

MECHANICAL

Standard Finish:	Black
Mass:	2.5 Kg / 5.5 lbs
Temperature:	-40 to +60°C
Wind Loading:	334 N @ 100 mph

Full radiation patterns and CAD available on request

DS: 2184-3

Issued: 030821

Dimensions: mm [inches]