

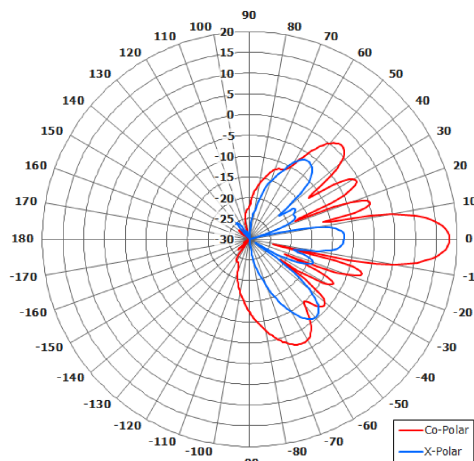
SA18-5.5VH/2286

Dual Polar Sector Antenna

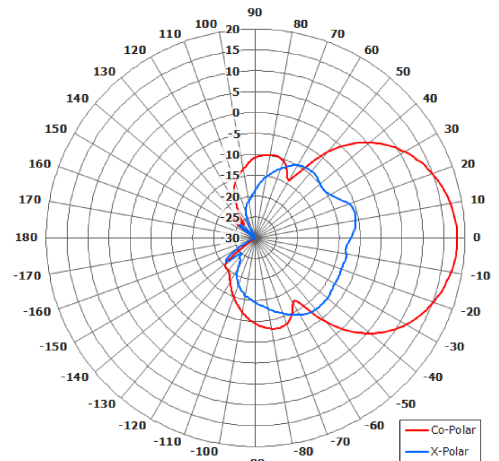


Key Features

- High Gain
- Dual Linear Polarisation
- Suitable for Outdoor Applications
- Radar Applications
- Sealed to IP66

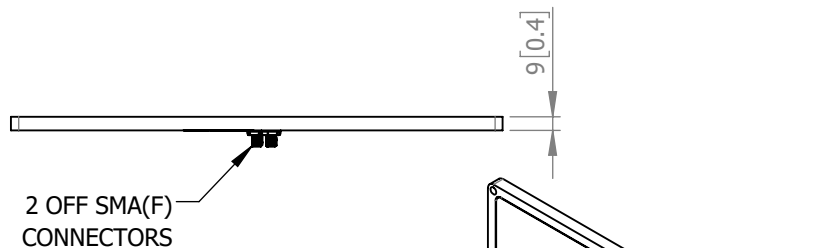


Azimuth Polar Plot
(H Port)

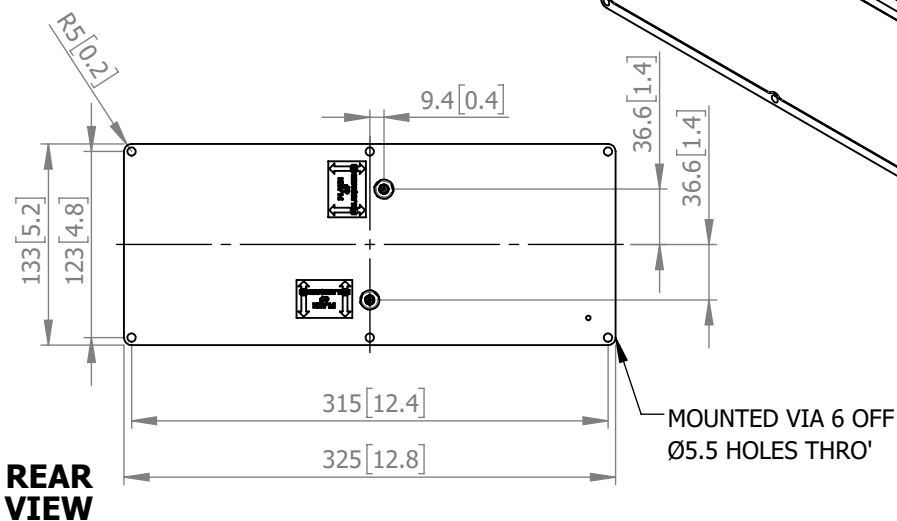


Elevation Polar Plot
(H Port)

SIDE VIEW



2 OFF SMA(F)
CONNECTORS



REAR VIEW

MOUNTED VIA 6 OFF
Ø5.5 HOLES THRO'

ELECTRICAL

Frequency:	5.200 - 5.825 GHz
Gain:	18 dBi Typ. (Both Ports)
Polarisation:	Dual Linear (Vertical & Horizontal)
Beamwidth:	10° (Az) x 37° (El) Approx
Cross Polar:	>20 dB Typ.
VSWR:	1.5:1 Max.
Power Rating:	5 W
Front to Back:	>30 dB Typ.

MECHANICAL

Standard Finish:	White
Mass:	675 g / 1.48 lbs Approx.
Temperature:	-20° to +50°C
Wind Loading:	63.5N @ 100 mph

MOUNTING OPTIONS

Kits Available: N/A
See Separate Data Sheets

DS: 2286-2 **Issued:** 101019
Dimensions: mm [inches] **M**

Chelton Limited has a policy of continuous development and stress that the information provided is a guide only and does not constitute an offer or contract or part thereof. Whilst every effort is made to ensure the accuracy of the information contained in this brochure, no responsibility can be accepted for any errors or omissions.

The copyright of antenna designs and images is copyright protected and owned by Chelton Limited.
©Chelton Limited

For further information please contact:
Chelton Limited,
Lambda House, Cheveley,
Newmarket, Suffolk CB8 9RG, UK.
T: +44 (0)1638 732 177
E: newmarket.sales@chelton.com
W: www.chelton.com/microwave