

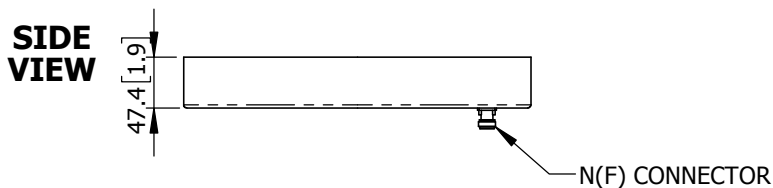
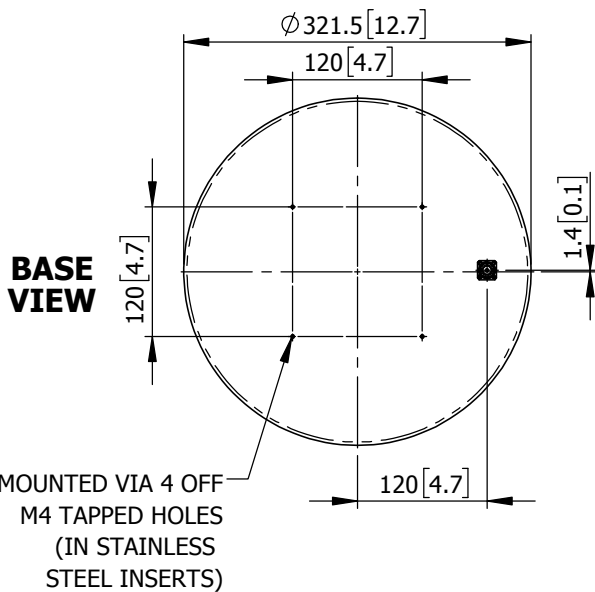
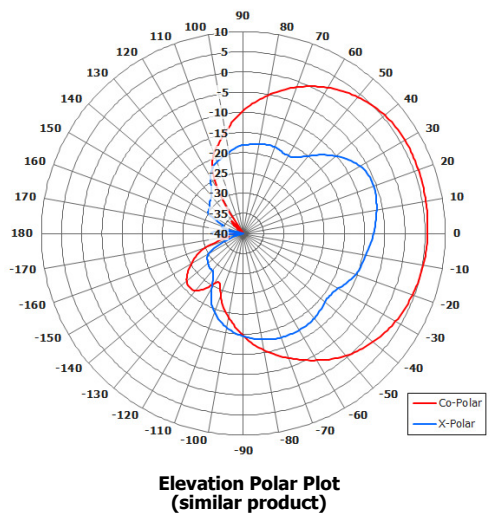
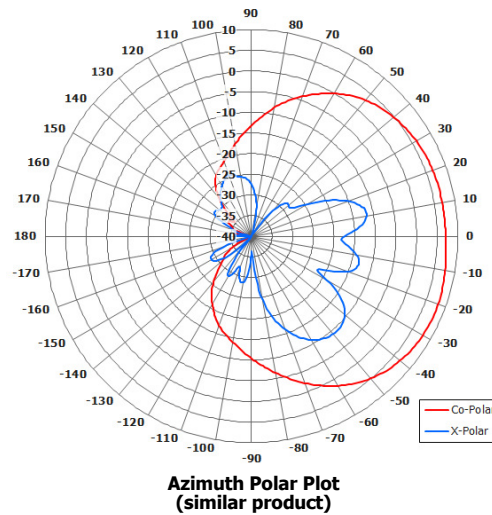
FPA7-0.7-6.0R/2294

Directional Antenna



Key Features

- High Gain
- High Power Directional
- Pattern Heavy Duty
- Design



ELECTRICAL

Frequency:	400-6000MHz (Extended) 700-3000 MHz (Optimised)
Gain:	4 - 8 dBiC (Optimised Band)
Polarisation:	Right Hand Circular
Beamwidth:	70° (Az) x 70° (El)
Axial Ratio:	5.5 dB Max.
VSWR:	2:1 Typ.
Power Rating:	20 W

MECHANICAL

Standard Finish	Black
Mass:	1.23Kg / 2.71 lbs
Temperature:	-40° to +60°C
Wind Loading:	3.98 Kg / 8.75 lbs @ 100 mph

MOUNTING OPTIONS

Kits Available: MK2
See Separate Data Sheets

Data Available from 0.4-6.0 GHz

DS: 2294-2 **Issued:** 140818
Dimensions: mm [inches] M

Chelton Limited has a policy of continuous development and stress that the information provided is a guide only and does not constitute an offer or contract or part thereof. Whilst every effort is made to ensure the accuracy of the information contained in this brochure, no responsibility can be accepted for any errors or omissions.

The copyright of antenna designs and images is copyright protected and owned by Chelton Limited.
©Chelton Limited

For further information please contact: Chelton Limited, Lambda House, Cheveley, Newmarket, Suffolk CB8 9RG, UK.
T: +44 (0)1638 732 177
E: newmarket.sales@chelton.com
W: www.chelton.com/microwave