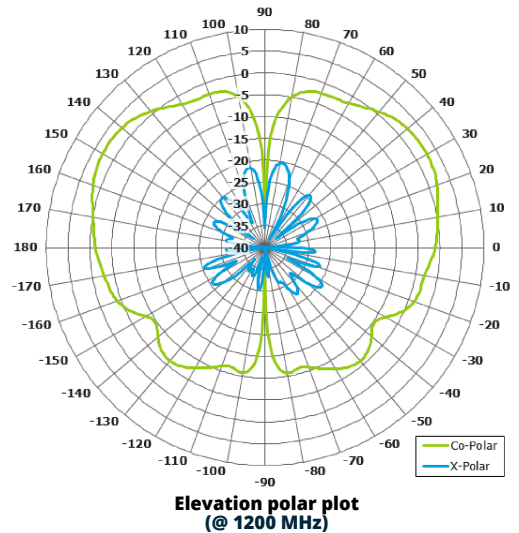
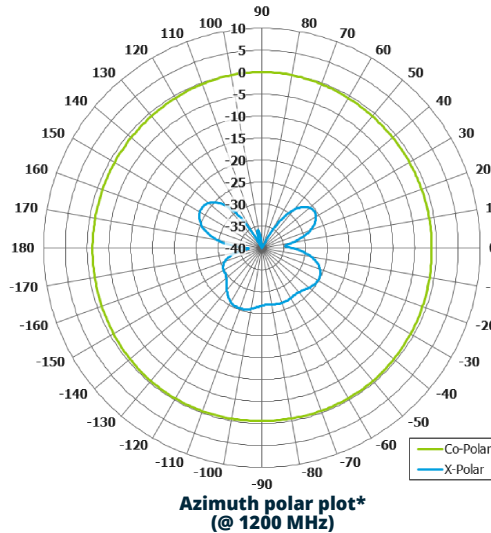


# OA2-700-2700V/2328

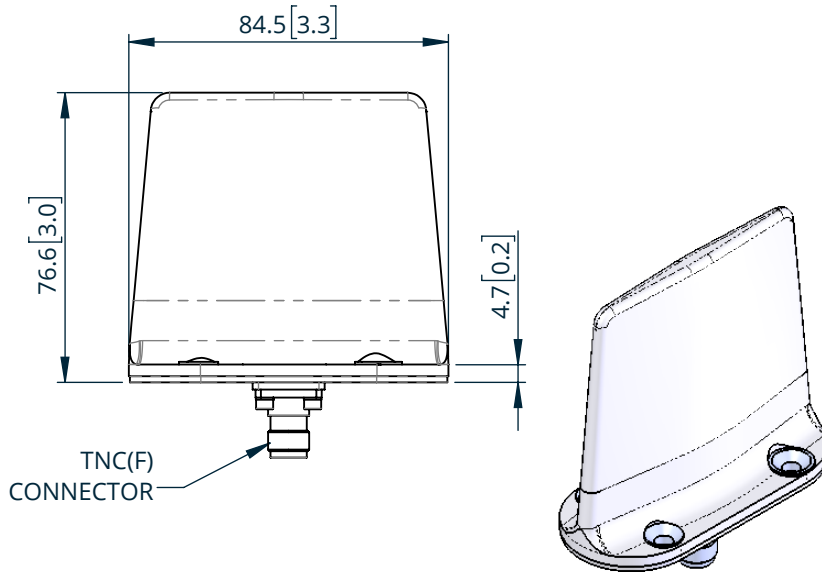
## Blade Antenna

### Key Features:

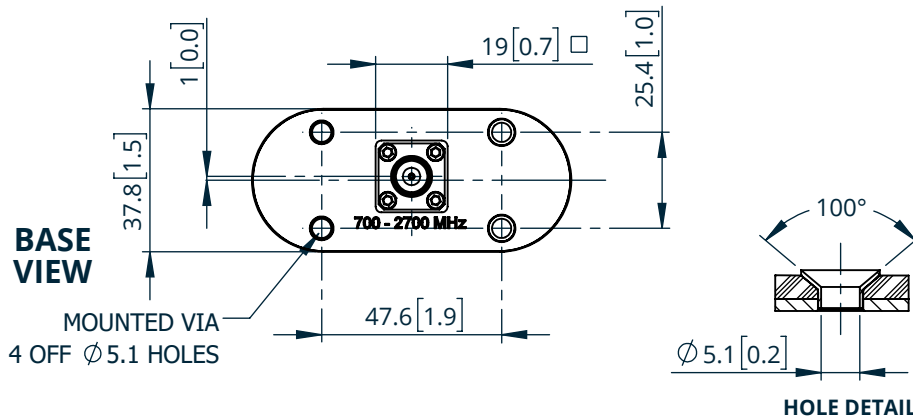
- Wideband LTE antenna
- Omni directional coverage
- Rugged and compact aerodynamic design
- Ground plane dependent



### SIDE VIEW



### BASE VIEW



### ELECTRICAL

<b>Frequency:</b>	700 to 2700 MHz
<b>Gain:</b>	2 to 6 dBi Typ.*
<b>Polarisation:</b>	Vertical
<b>Beamwidth:</b>	360° (Az) x 40 to 70° (El) Typ.
<b>VSWR:</b>	2:1
<b>Power Rating:</b>	20 W
<b>Electrical Tilt:</b>	30° Typ.*

### MECHANICAL

<b>Standard Finish:</b>	White
<b>Mass:</b>	65 g / 2.3 oz
<b>Temperature:</b>	-20 to +70°C

### NOTES

\* Measured on  $\phi$ 500 ground plane

Full radiation patterns and CAD available on request

DS: 2328-2

Issued: 250521

Dimensions: mm [inches]