

OA2-1.76-6.0V/2406

Omni Antenna

Key Features:

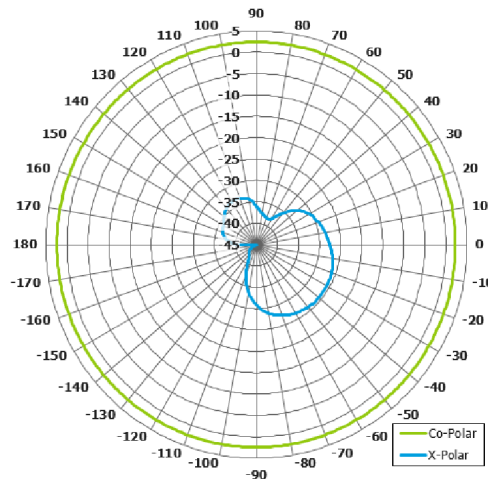
Ultra wideband performance

Covers L, S, and C bands

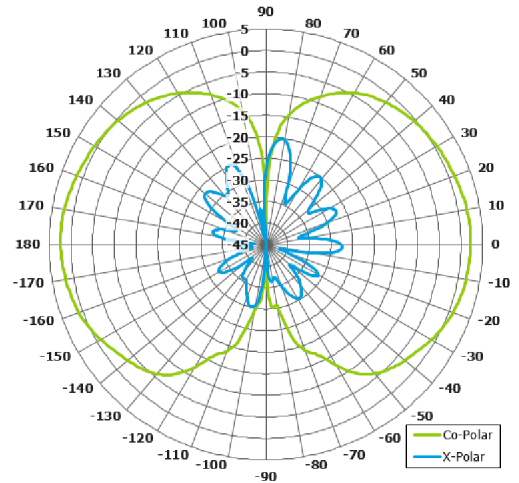
Rugged design

Ground plane independant

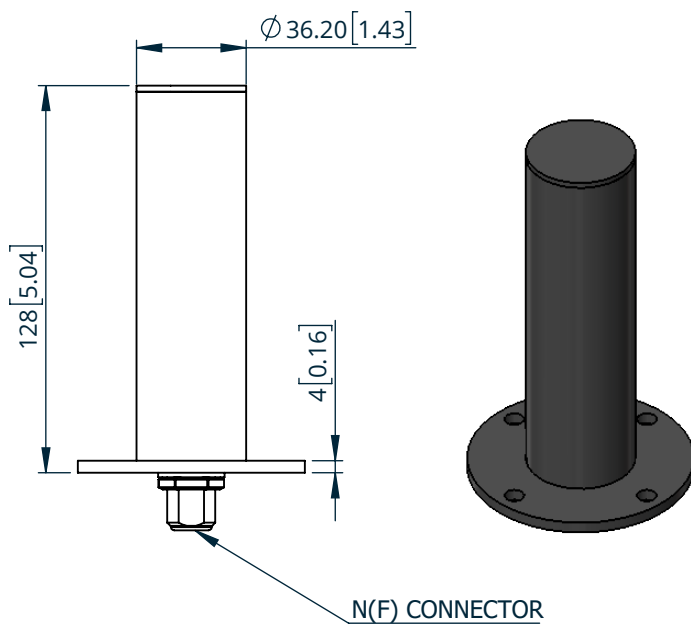
Low azimuth ripple



**Azimuth Polar Plot
(@ 2.5 GHz)**

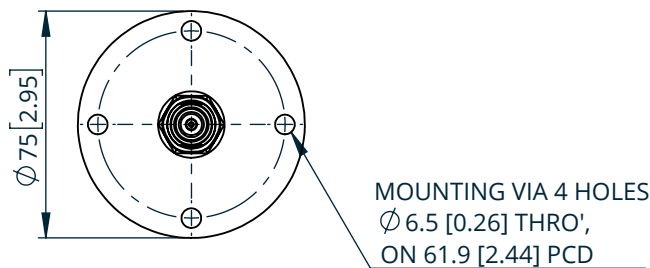


**Elevation Polar Plot
(@ 2.5 GHz)**



**SIDE
VIEW**

N(F) CONNECTOR



**BASE
VIEW**

MOUNTING VIA 4 HOLES
Ø 6.5 [0.26] THRO',
ON 61.9 [2.44] PCD

ELECTRICAL

Frequency: 1.7 to 6.0 GHz

Gain: 2 dBi Typ.

Polarisation: Vertical

Beamwidth: 360° x 70° Typ.

Cross Polar: >25 dB Typ.

VSWR: 2:1 Max.

Power Rating: 50 W

MECHANICAL

Standard Finish: Black

Mass: 0.17 Kg / 0.37 lbs

Temperature: -20 to +50°C

Full radiation patterns and CAD available on request

DS: 2406-2

Issued: 070921

Dimensions: mm [inches]