

EVD2-1.6/2488

Omni Antenna

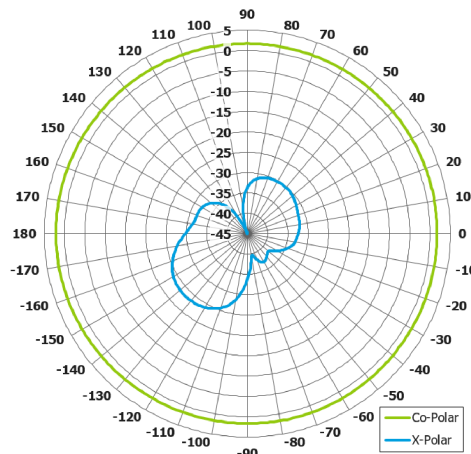
Key Features:

Suitable for multiple applications

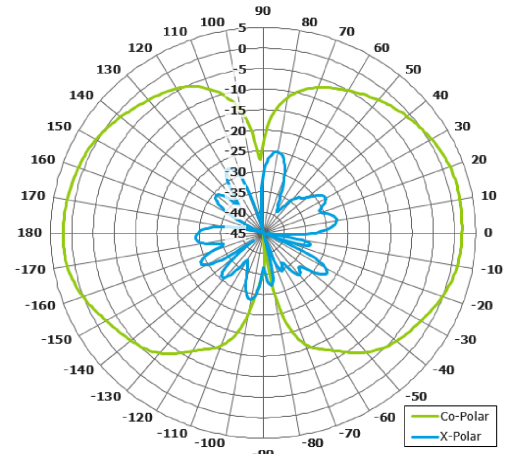
Rugged low profile design

Very low azimuth ripple

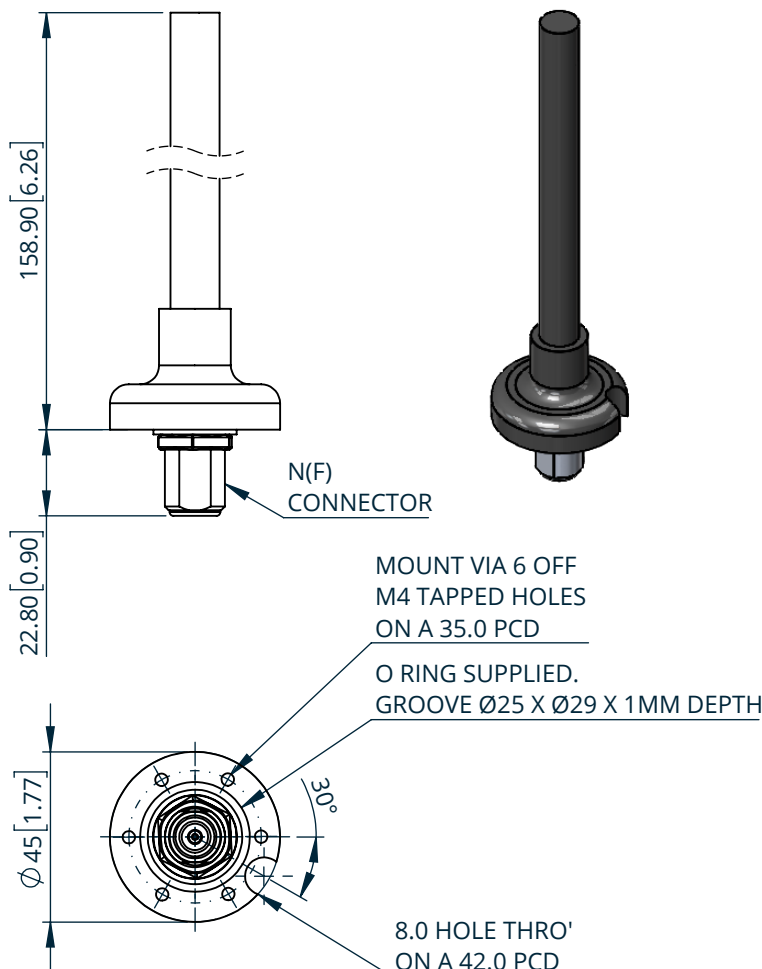
Ground plane independent



**Azimuth Polar Plot
(@ 1.55 GHz)**



**Elevation Polar Plot
(@ 1.55 GHz)**



ELECTRICAL

Frequency: 1.50 to 1.65 GHz

Gain: 2 dBi Typ.

Polarisation: Vertical

Beamwidth: 360° x 61° Typ.

Cross Polar: >20 dB Typ.

VSWR: 2:1 Max.

Power Rating: 10 W

MECHANICAL

Standard Finish: Black

Mass: 0.11 Kg / 0.23lbs

Temperature: -20 to +50°C

Full radiation patterns and CAD available on request

DS: 2488-2

Issued: 020921

Dimensions: mm [inches]