

FPA24-4.7VH/2494

Flat Panel Antenna



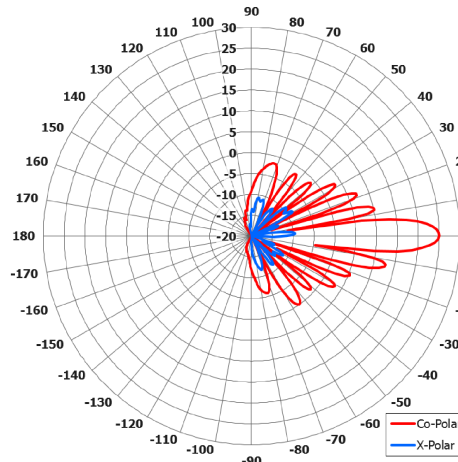
Key Features

Suitable for tactical comms applications

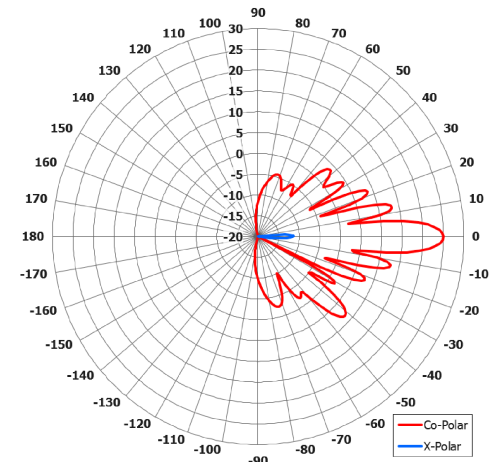
High gain

Dual polar

Low profile

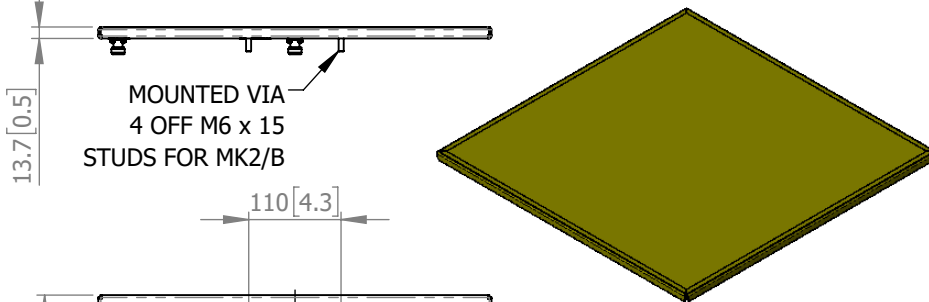


Azimuth Polar Plot

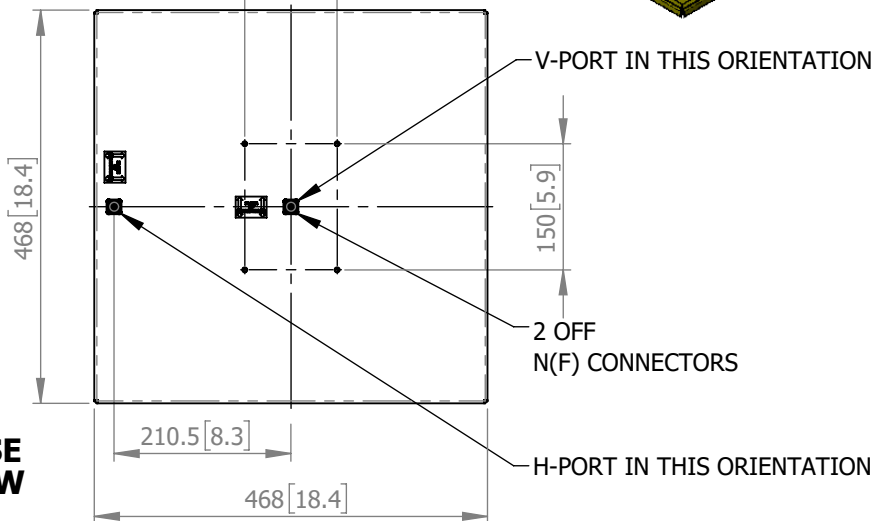


Elevation Polar Plot

SIDE VIEW



BASE VIEW



ELECTRICAL

Frequency:	4.4 - 5.0 GHz
Gain:	23.5 dBi Nom. (V. pol) 22 dBi Nom. (H. pol)
Polarisation:	Dual Linear (Vertical & Horizontal)
Beamwidth:	8° (Az) x 8° (El)
Cross Polar:	>20 dB
VSWR:	2:1 Max.
Power Rating:	25 W
Front to Back:	>30 dB

MECHANICAL

Standard Finish:	Yellow Grey RAL 7034
Mass:	2.5 Kg / 5.5 lbs
Temperature:	-30° to +55°C
Wind Loading:	314N @ 100 mph

MOUNTING OPTIONS

Kits Available: MK2/B
See Separate Data Sheets

DS: 2494-2 Issued: 180619
Dimensions: mm [inches] L

Chelton Limited has a policy of continuous development and stress that the information provided is a guide only and does not constitute an offer or contract or part thereof. Whilst every effort is made to ensure the accuracy of the information contained in this brochure, no responsibility can be accepted for any errors or omissions.

The copyright of antenna designs and images is copyright protected and owned by Chelton Limited.
©Chelton Limited

For further information please contact:
Chelton Limited,
Lambda House, Cheveley,
Newmarket, Suffolk CB8 9RG, UK.
T: +44 (0)1638 732 177
E: newmarket.sales@chelton.com
W: www.chelton.com/microwave