

# FPA19-5.5VH/490

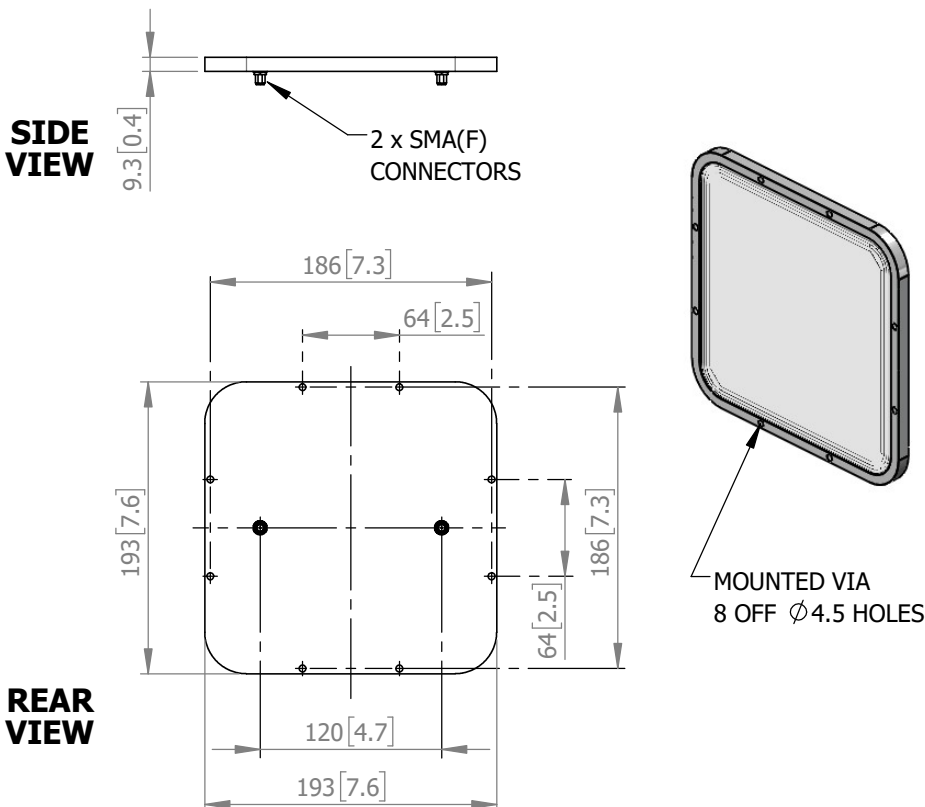
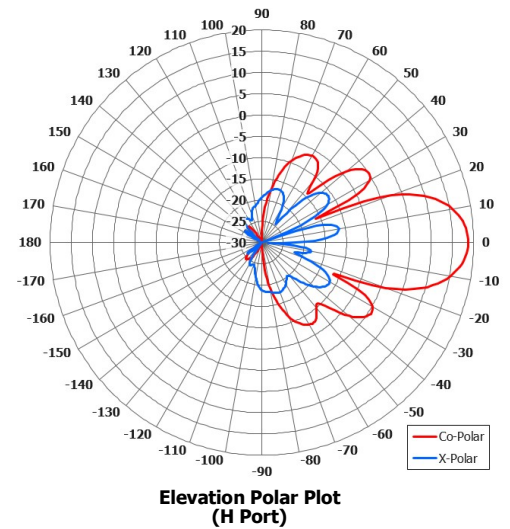
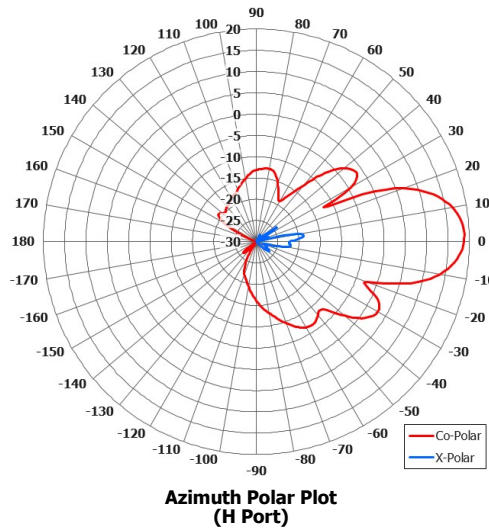
## Flat Panel Antenna



### Key Features

Low profile rugged design

High gain directional antenna



### ELECTRICAL

<b>Frequency:</b>	5.250 - 5.825 GHz
<b>Gain:</b>	18.5 dBi Typ. (Both ports)
<b>Polarisation:</b>	Vertical & Horizontal
<b>Beamwidth:</b>	18.5° (Az) x 19° (El) Typ.
<b>Cross Polar:</b>	>20 dB
<b>VSWR:</b>	1.8:1 Max.
<b>Power Rating:</b>	5 W

### MECHANICAL

<b>Standard Finish:</b>	White radome
<b>Mass:</b>	0.61 Kg / 1.34 lbs
<b>Temperature:</b>	-20 to +50°C
<b>Wind Loading:</b>	54 N @ 100 mph

### MOUNTING OPTIONS

<b>Kits Available:</b>	N/A
<b>See Separate Data Sheets</b>	

DS: 0490-4    Issued: 220920  
Dimensions: mm [inches]    M

Chelton Limited has a policy of continuous development and stress that the information provided is a guide only and does not constitute an offer or contract or part thereof. Whilst every effort is made to ensure the accuracy of the information contained in this brochure, no responsibility can be accepted for any errors or omissions.

The copyright of antenna designs and images is copyright protected and owned by Chelton Limited.  
©Chelton Limited

For further information please contact:  
Chelton Limited,  
Lambda House, Cheveley,  
Newmarket, Suffolk CB8 9RG, UK.  
T: +44 (0)1638 732 177  
E: newmarket.sales@chelton.com  
W: www.chelton.com/microwave