

SVD2-5800/227

Slim Omni Antenna



Key Features

Designed for Mobile Applications

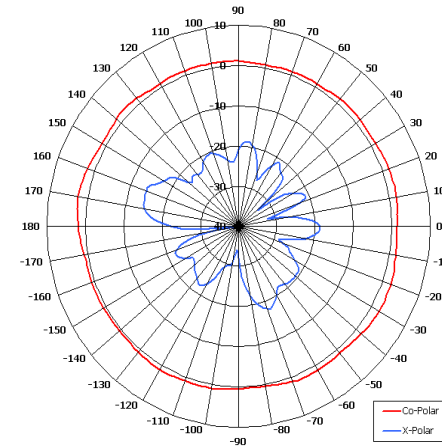
Suitable for Multiple Applications

Pattern - Omni Directional

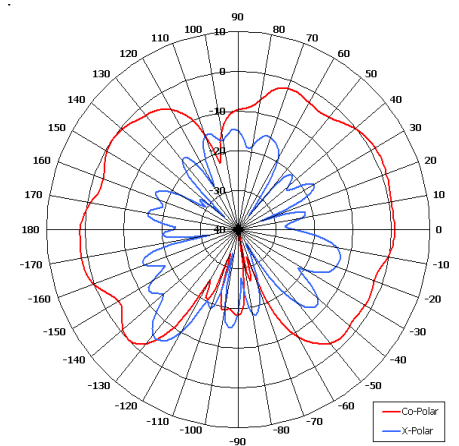
Compact

Lightweight

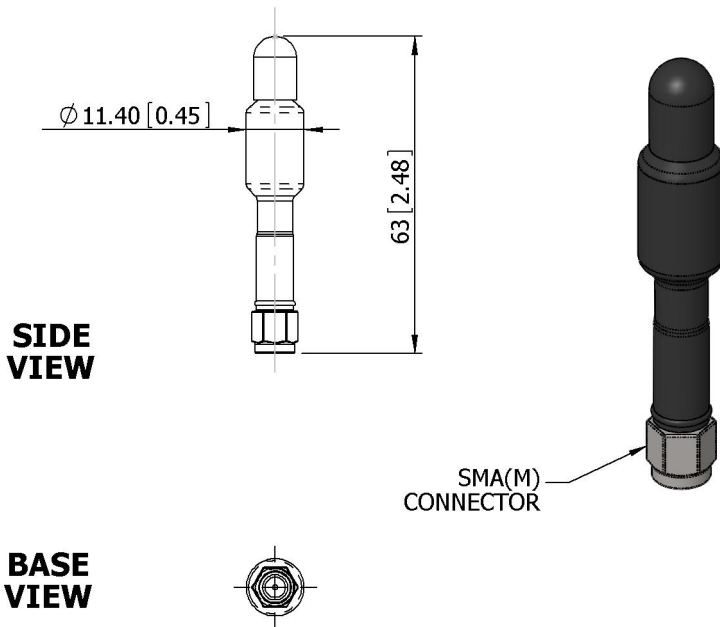
NATO Stock Number: 5985995636222



Azimuth Pattern



Elevation Pattern



**SIDE
VIEW**

**BASE
VIEW**

SMA(M)
CONNECTOR

ELECTRICAL

Frequency	5.70 -5.90 GHz
Gain	2 dBi Nom
Polarisation	Linear (Vertical)
Beamwidth	360° (Az) x 80° (El) Approx
Cross Polar	15 - 20 dB Typ
VSWR	2:1 Max
Power Rating	2 W
Front to Back	N/A

MECHANICAL

Standard Finish	Matt Black
Mass	10 g (0.4 oz)
Temperature	-20° to +50°C
Wind Loading	N/A

MOUNTING OPTIONS

Kits Available	N/A
See separate data sheets	

ADDITIONAL NOTES

Issued 080410

GA: 0227

Chelton Limited has a policy of continuous development and stress that the information provided is a guide only and does not constitute an offer or contract or part thereof. Whilst every effort is made to ensure the accuracy of the information contained in this brochure, no responsibility can be accepted for any errors or omissions.

The copyright of antenna designs and images is copyright protected and owned by Chelton Limited.
©Chelton Limited

For further information please contact: Chelton Limited, Lambda House, Cheveley, Newmarket, Suffolk CB8 9RG, UK.
T: +44 (0)1638 732 177
E: newmarket.sales@chelton.com
W: www.chelton.com/microwave