

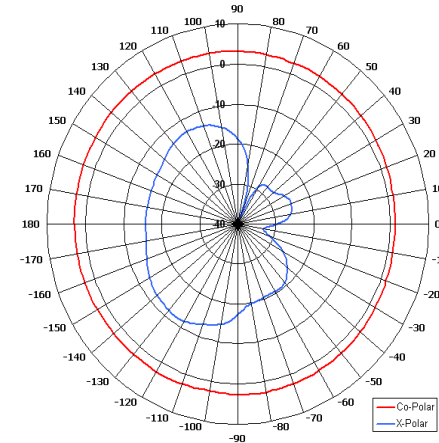
RCO5-2400-MO1/266

Omni Antenna

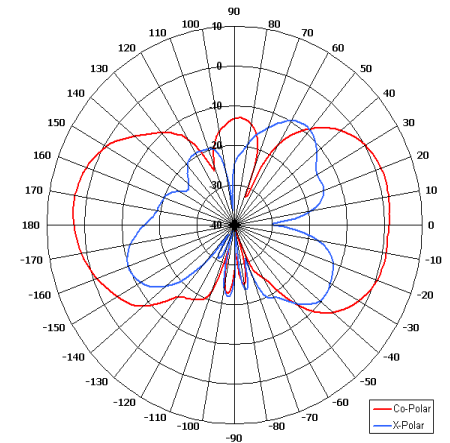


Key Features

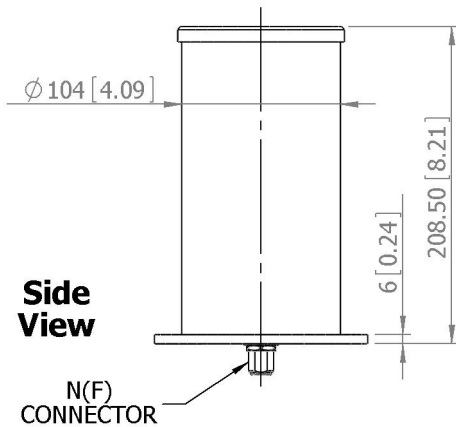
- Designed for Security Applications
- Suitable for Multiple Applications
- Right Hand Circularly Polarised
- Suitable for Mobile Applications
- Compact



Azimuth Pattern

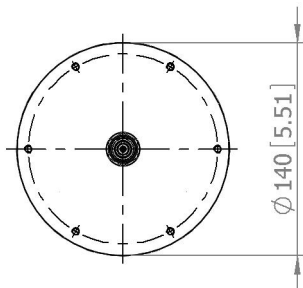


Elevation Pattern

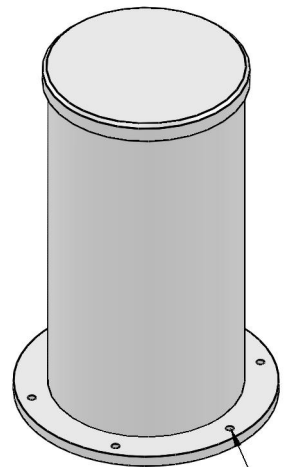


Side View

N(F)
CONNECTOR



Base View



MOUNTED VIA
6 OFF M5 TAPPED
HOLES EQUI-SPACED
ON 125 PCD

GA: 0266

ELECTRICAL

Frequency	2.30 - 2.50 GHz
Gain	5 dBiC
Polarisation	Right Hand Circular
Beamwidth	360° (Az) x 40° (El) Approx
Axial Ratio	2-3 dB Typ
VSWR	1.5:1
Power Rating	10W
Front to Back	N/A

MECHANICAL

Standard Finish	White
Mass	600g
Temperature	-20° to +50°C
Wind Loading	3.4 Kg(7.6lbs) @ 100mph

MOUNTING OPTIONS

Kits Available	N/A
See separate data sheets	

ADDITIONAL NOTES

Issued 300410

Chelton Limited has a policy of continuous development and stress that the information provided is a guide only and does not constitute an offer or contract or part thereof. Whilst every effort is made to ensure the accuracy of the information contained in this brochure, no responsibility can be accepted for any errors or omissions.

The copyright of antenna designs and images is copyright protected and owned by Chelton Limited.
©Chelton Limited

For further information please contact: Chelton Limited,
Lambda House, Cheveley,
Newmarket, Suffolk CB8 9RG, UK.
T: +44 (0)1638 732 177
E: newmarket.sales@chelton.com
W: www.chelton.com/microwave