

VOA4-3450/428

Omni Antenna



Key Features

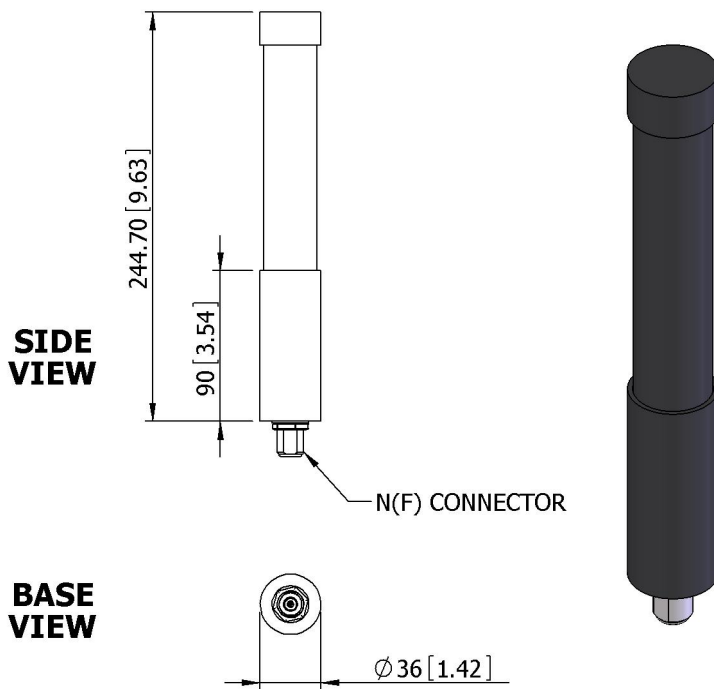
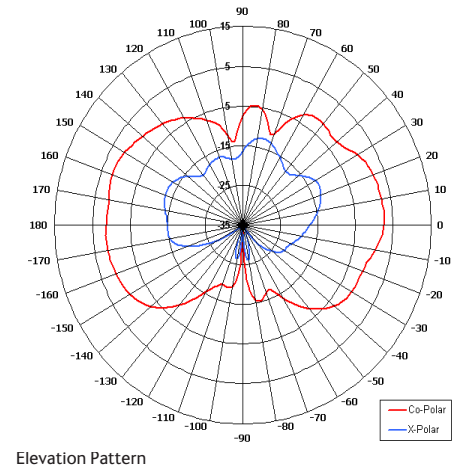
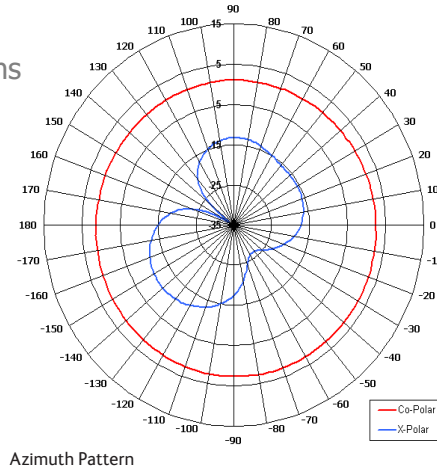
Designed for Commercial Applications

Suitable for Outdoor Applications

Suitable for WLAN Applications

Compact

Ground Plane Independent



ELECTRICAL

Frequency	3.50 - 3.57 GHz
Gain	4 dB Nom
Polarisation	Linear (Vertical)
Beamwidth	360° (Az) x 40° (El) Approx
Cross Polar	20 dB Typ
VSWR	1.5:1
Power Rating	50 W
Front to Back	N/A

MECHANICAL

Standard Finish	Matt Black
Mass	173g (6.1 oz)
Temperature	-40° to +60°C
Wind Loading	1.1 Kg (2.4 lbs) @ 100mph

MOUNTING OPTIONS

Kits Available	N/A
See separate data sheets	

ADDITIONAL NOTES

Issued 010410

Chelton Limited has a policy of continuous development and stress that the information provided is a guide only and does not constitute an offer or contract or part thereof. Whilst every effort is made to ensure the accuracy of the information contained in this brochure, no responsibility can be accepted for any errors or omissions.

The copyright of antenna designs and images is copyright protected and owned by Chelton Limited.
©Chelton Limited

For further information please contact: Chelton Limited,
Lambda House, Cheveley,
Newmarket, Suffolk CB8 9RG, UK.
T: +44 (0)1638 732 177
E: newmarket.sales@chelton.com
W: www.chelton.com/microwave