

# VOA10-1615/897

Omni Antenna



## Key Features

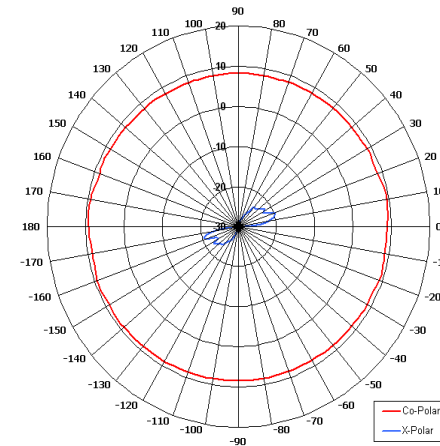
Pattern - Omni Directional

High Gain

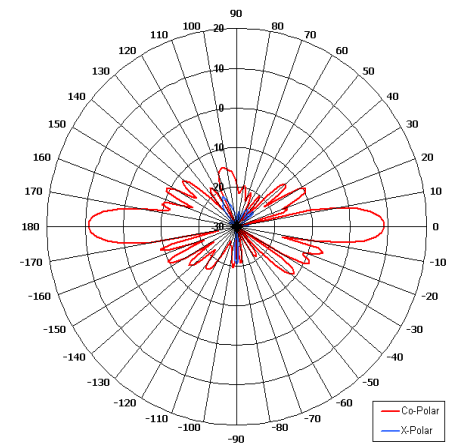
Suitable for Security Applications

Designed for Outdoor Applications

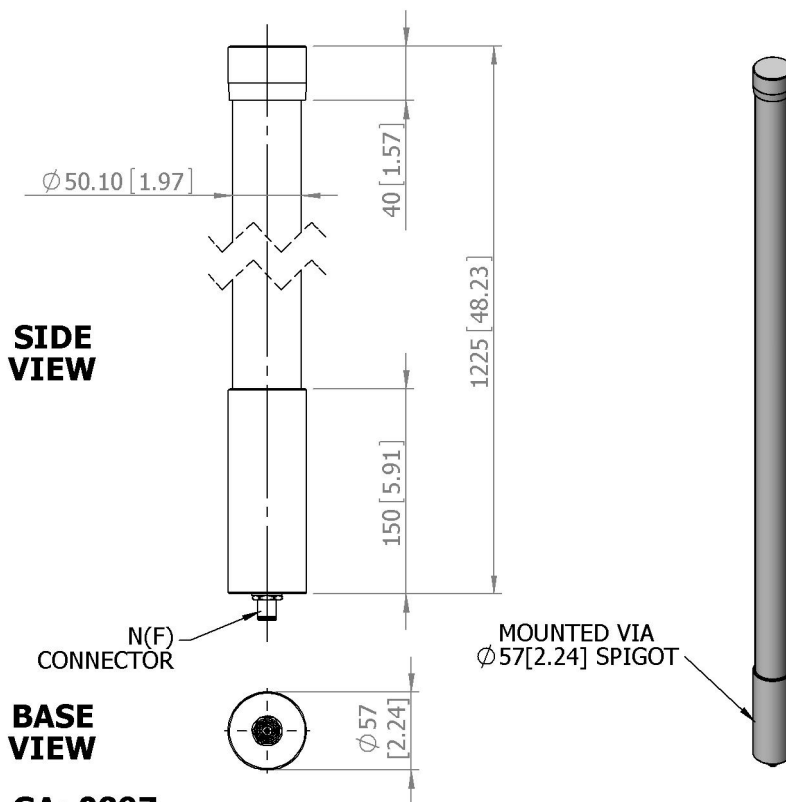
Rugged



Azimuth Pattern



Elevation Pattern



**SIDE VIEW**

**BASE VIEW**

**GA: 0897**

## ELECTRICAL

Frequency	1.59 - 1.64 GHz
Gain	8.90 - 9.50 dBi Nom
Polarisation	Linear (Vertical)
Beamwidth	360° (Az) x 10° (El) Approx
Cross Polar	>29 dB Typ
VSWR	1.5:1
Power Rating	25W
Front to Back	N/A

## MECHANICAL

Standard Finish	Gloss White
Mass	950 g (2.09 lbs)
Temperature	-25° to +50°C
Wind Loading	11.06 Kg (24.34 lbs) @ 100mph

## MOUNTING OPTIONS

Kits Available	MK4/C
See separate data sheets	

## ADDITIONAL NOTES

Issued 040310

Chelton Limited has a policy of continuous development and stress that the information provided is a guide only and does not constitute an offer or contract or part thereof. Whilst every effort is made to ensure the accuracy of the information contained in this brochure, no responsibility can be accepted for any errors or omissions.

The copyright of antenna designs and images is copyright protected and owned by Chelton Limited.  
©Chelton Limited

For further information please contact: Chelton Limited, Lambda House, Cheveley, Newmarket, Suffolk CB8 9RG, UK.  
T: +44 (0)1638 732 177  
E: newmarket.sales@chelton.com  
W: www.chelton.com/microwave