

LCO7-2350/1018

Omni Antenna



Key Features

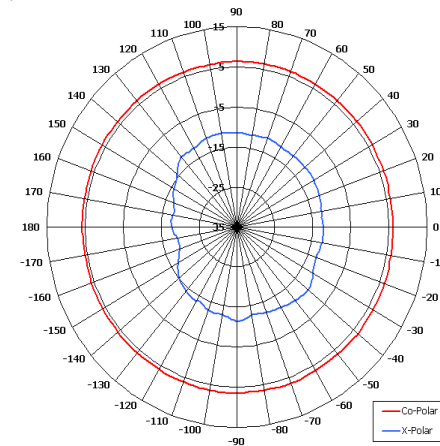
Designed for Broadcast

Applications

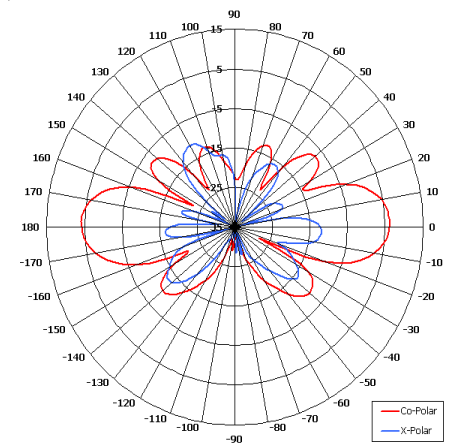
Suitable for Multiple Applications

Left Hand Circular Polarised

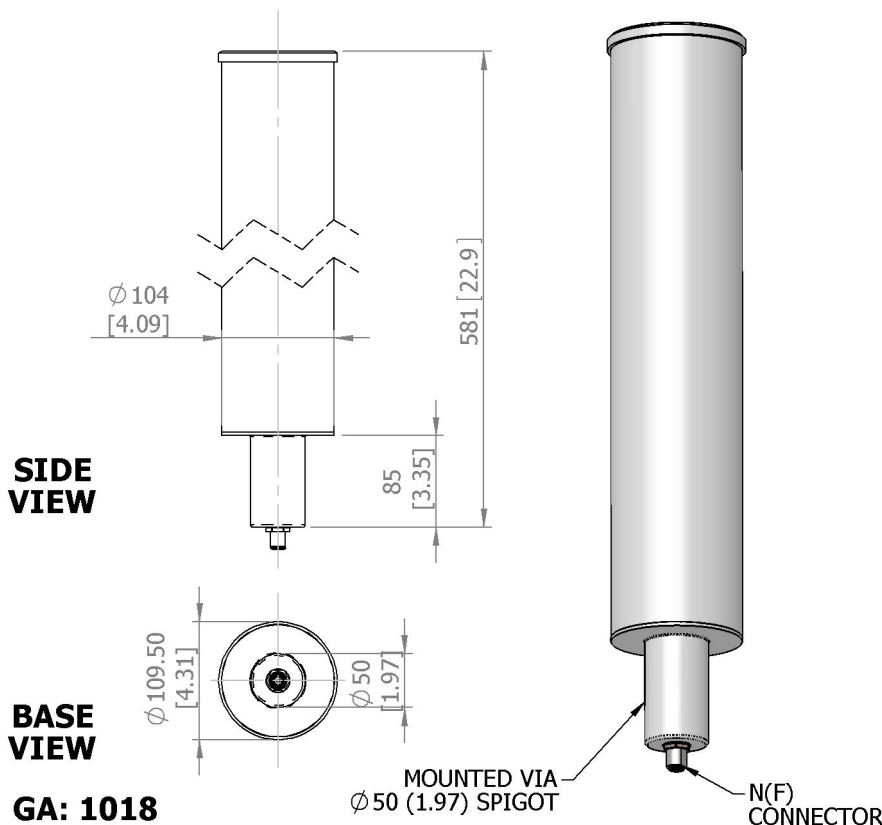
Rugged



Azimuth Pattern



Elevation Pattern



ELECTRICAL

| | |
|---------------|--------------------------------|
| Frequency | 2.27 - 2.43 GHz |
| Gain | 6 dBiC Nom |
| Polarisation | Left Hand Circular |
| Beamwidth | 360° (Az) x 20° (El) Approx |
| Axial Ratio | 3 dB Typ |
| VSWR | 1.5:1 Band Ctr, 2:1 Band Edges |
| Power Rating | 20 W |
| Front to Back | N/A |

MECHANICAL

| | |
|-----------------|---------------------------|
| Standard Finish | White |
| Mass | 1.12 Kg (2.464 lbs) |
| Temperature | -20° to +50°C |
| Wind Loading | 10.5 Kg (23 lbs) @ 100mph |

MOUNTING OPTIONS

| | |
|--------------------------|-------|
| Kits Available | MK2/A |
| See separate data sheets | |

ADDITIONAL NOTES

Issued 051110

Chelton Limited has a policy of continuous development and stress that the information provided is a guide only and does not constitute an offer or contract or part thereof. Whilst every effort is made to ensure the accuracy of the information contained in this brochure, no responsibility can be accepted for any errors or omissions.

The copyright of antenna designs and images is copyright protected and owned by Chelton Limited.
©Chelton Limited

For further information please contact:
Chelton Limited,
Lambda House, Cheveley,
Newmarket, Suffolk CB8 9RG, UK.
T: +44 (0)1638 732 177
E: newmarket.sales@chelton.com
W: www.chelton.com/microwave