

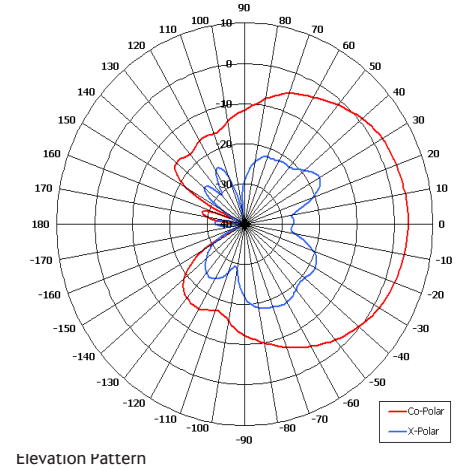
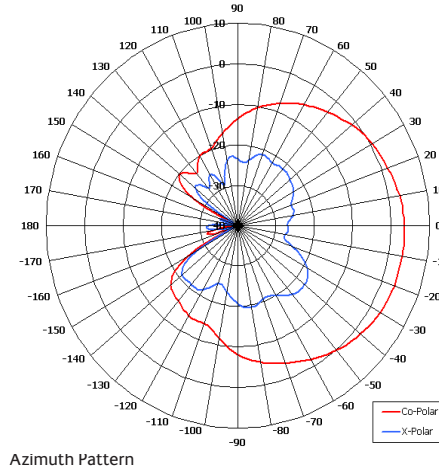
# PSA0218L/1084

Spiral Antenna

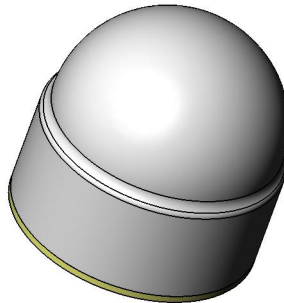
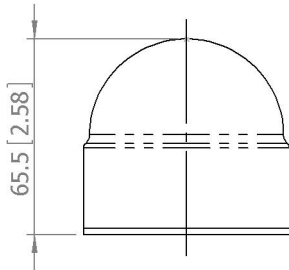


## Key Features

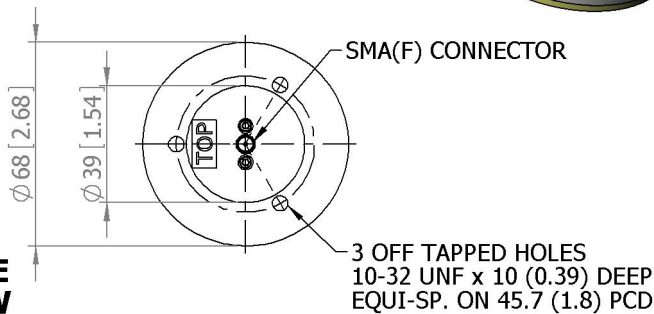
- Designed for Electronic Warfare Applications
- Designed for DF Arrays
- Pattern - Directional
- Phase Matching Available
- Amplitude Matching Available



**SIDE VIEW**



**BASE VIEW**



**GA: 1084**

## ELECTRICAL

Frequency	2.00 - 18.00 GHz
Gain	>-1 dBiC (2-4 GHz) >2 dBiC (4-18 GHz) Nom
Polarisation	Left Hand Circular
Beamwidth	75° (Az) x 75° (El) Approx
Axial Ratio	3 dB Max across HPBW above 3 GHz
VSWR	2.5:1 4-18 GHz, 3:1 2-4 GHz
Power Rating	2-5W Series Across Band Width
Front to Back	25 dB Min

## MECHANICAL

Standard Finish	White Radome
Mass	176g (6.21 oz)
Temperature	-54° to +71°C

## MOUNTING OPTIONS

Kits Available	N/A
See separate data sheets	

## ADDITIONAL NOTES

Issued 180716

Chelton Limited has a policy of continuous development and stress that the information provided is a guide only and does not constitute an offer or contract or part thereof. Whilst every effort is made to ensure the accuracy of the information contained in this brochure, no responsibility can be accepted for any errors or omissions.

The copyright of antenna designs and images is copyright protected and owned by Chelton Limited.  
©Chelton Limited

For further information please contact: Chelton Limited,  
Lambda House, Cheveley,  
Newmarket, Suffolk CB8 9RG, UK.  
T: +44 (0)1638 732 177  
E: [newmarket.sales@chelton.com](mailto:newmarket.sales@chelton.com)  
W: [www.chelton.com/microwave](http://www.chelton.com/microwave)