

# PSA 7530L/1147

Sprial Antenna



## Key Features

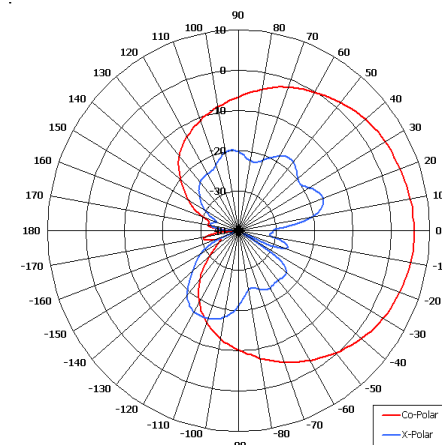
Designed for Test and Measurement Applications

Suitable for Multiple Applications

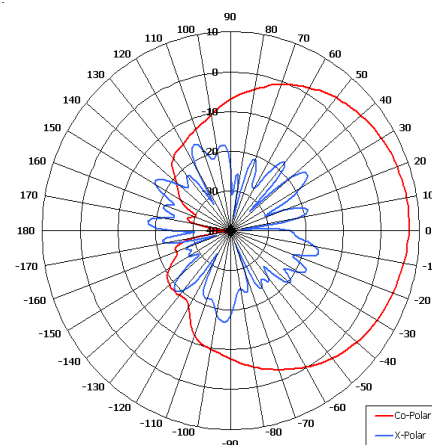
Wide Band

Pattern - Directional

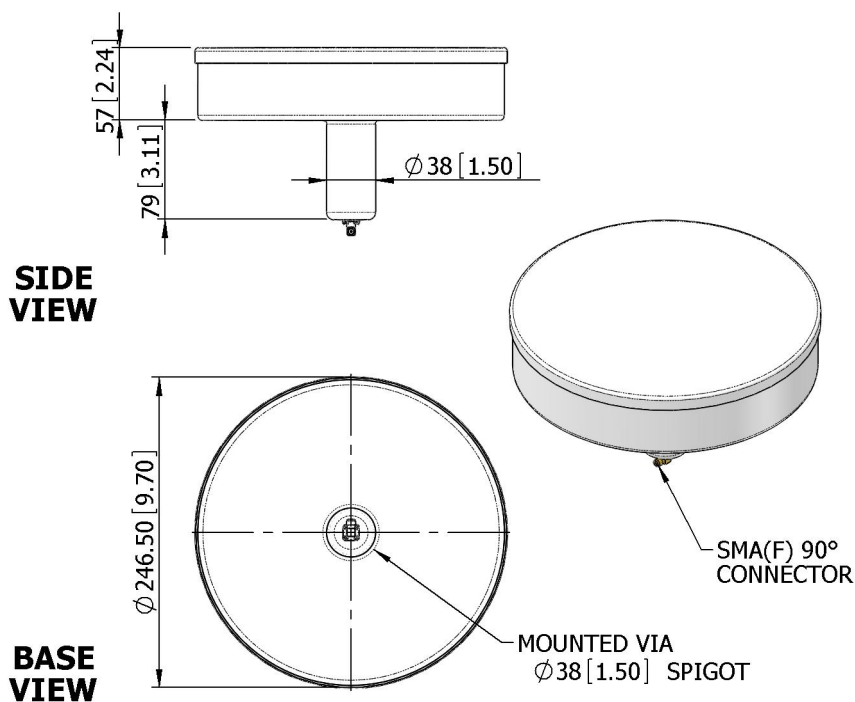
Compact



Azimuth Pattern



Elevation Pattern



**SIDE VIEW**

**BASE VIEW**

**GA: 1147**

## ELECTRICAL

Frequency	500 MHz - 3.0 GHz
Gain	1 dBiC @ 500 MHz/ 4-6 dBiC @ 1-3 GHz Nom
Polarisation	Left Hand Circular
Beamwidth	70° (Az) x 90° (El) Approx
Axial Ratio	1-3 dB Typ
VSWR	2:1 Max over 750 MHz-3 GHz 2.5:1 Max over 500-750 MHz
Power Rating	2-5 W
Front to Back	15-20 dB

## MECHANICAL

Standard Finish	White
Mass	1 Kg
Temperature	-20° to +50°C
Wind Loading	7.3 Kg (16.1 lbs) @ 100 mph

## MOUNTING OPTIONS

Kits Available	N/A
See separate data sheets	

## ADDITIONAL NOTES

Issued 030211

Chelton Limited has a policy of continuous development and stress that the information provided is a guide only and does not constitute an offer or contract or part thereof. Whilst every effort is made to ensure the accuracy of the information contained in this brochure, no responsibility can be accepted for any errors or omissions.

The copyright of antenna designs and images is copyright protected and owned by Chelton Limited.  
©Chelton Limited

For further information please contact: Chelton Limited, Lambda House, Cheveley, Newmarket, Suffolk CB8 9RG, UK.  
T: +44 (0)1638 732 177  
E: newmarket.sales@chelton.com  
W: www.chelton.com/microwave