

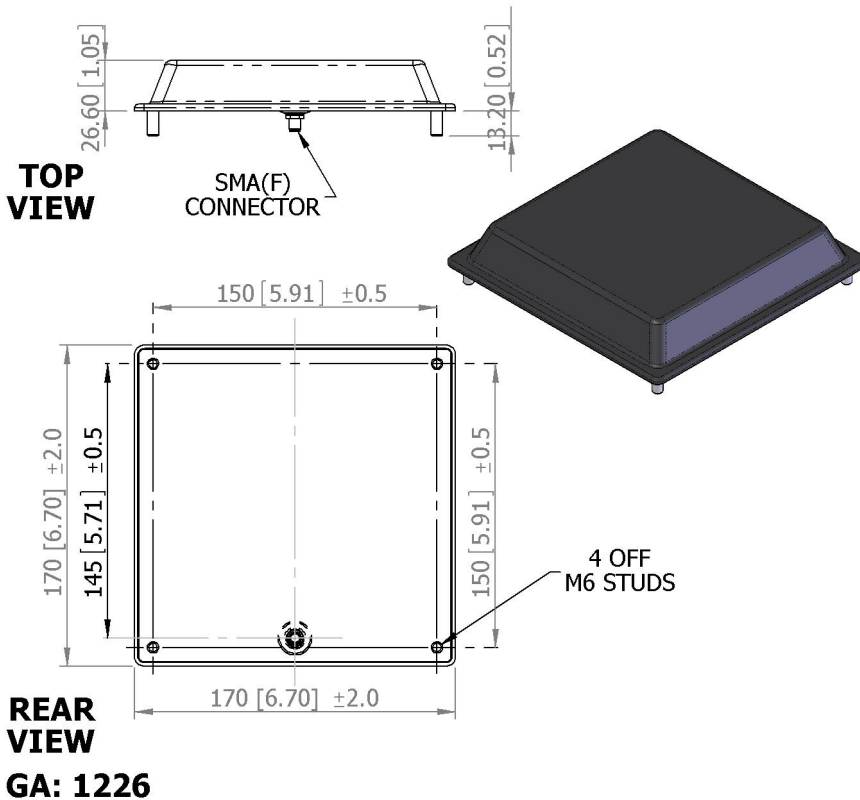
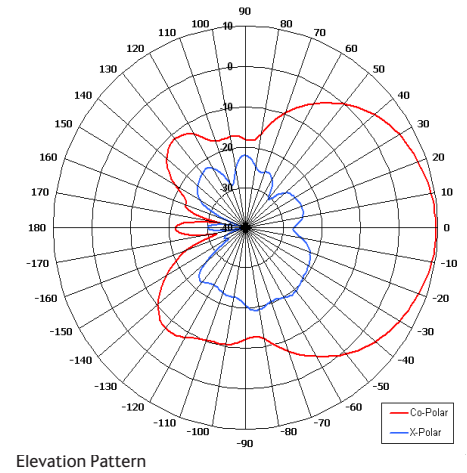
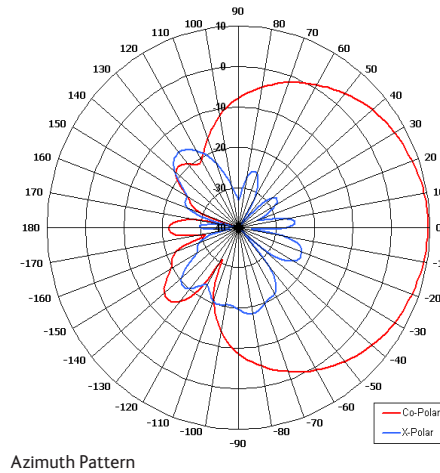
# LPA7-1800V/1226



Directional Antenna

## Key Features

- Designed for IED Countermeasure
- Applications Rugged
- Suitable for Ground Based
- Applications Vertical Polarisation



## ELECTRICAL

Frequency	1.71 - 1.88 GHz
Gain	9.2 dBi Typ
Polarisation	Linear (vertical)
Beamwidth	70° (Az) x 60° (El)
Cross Polar	>20 dB
VSWR	1.5:1
Power Rating	50W
Front to Back	>20 dB

## MECHANICAL

Standard Finish	Black Radome, Alocrom Base
Mass	280g (0.62 lbs)
Temperature	-20° to +50°C
Wind Loading	4.68 Kg (10.3 lbs) @ 100mph

## MOUNTING OPTIONS

Kits Available	N/A
See separate data sheets	

## ADDITIONAL NOTES

Issued 221010

Chelton Limited has a policy of continuous development and stress that the information provided is a guide only and does not constitute an offer or contract or part thereof. Whilst every effort is made to ensure the accuracy of the information contained in this brochure, no responsibility can be accepted for any errors or omissions.

The copyright of antenna designs and images is copyright protected and owned by Chelton Limited.  
©Chelton Limited

For further information please contact: Chelton Limited, Lambda House, Cheveley, Newmarket, Suffolk CB8 9RG, UK.  
T: +44 (0)1638 732 177  
E: newmarket.sales@chelton.com  
W: www.chelton.com/microwave