

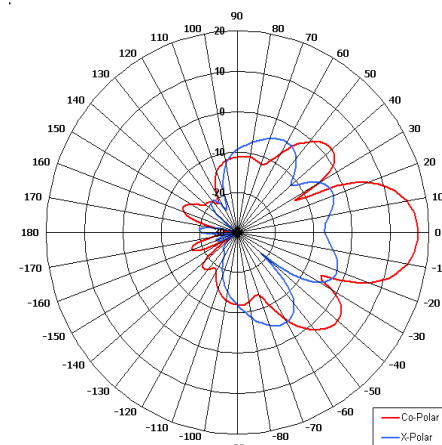
# FPA17-2300R/1231

Directional Antenna

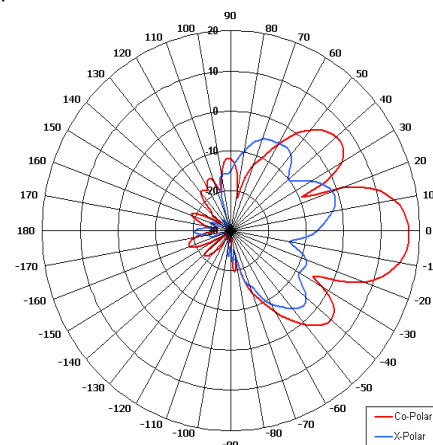


## Key Features

- Designed for Security Applications
- Suitable for Multiple Applications
- Pattern - Directional
- Right Hand Circular Polarised
- Rugged



Azimuth Pattern



Elevation Pattern

## ELECTRICAL

Frequency	2.20 - 2.40 GHz
Gain	17.25 dBiC Typ
Polarisation	Right Hand Circular
Beamwidth	22.5° (Az) x 22.5° (El) Approx
Axial Ratio	2.0 dB Typ
VSWR	<1.5:1
Power Rating	20 W
Front to Back	>35 dB

## MECHANICAL

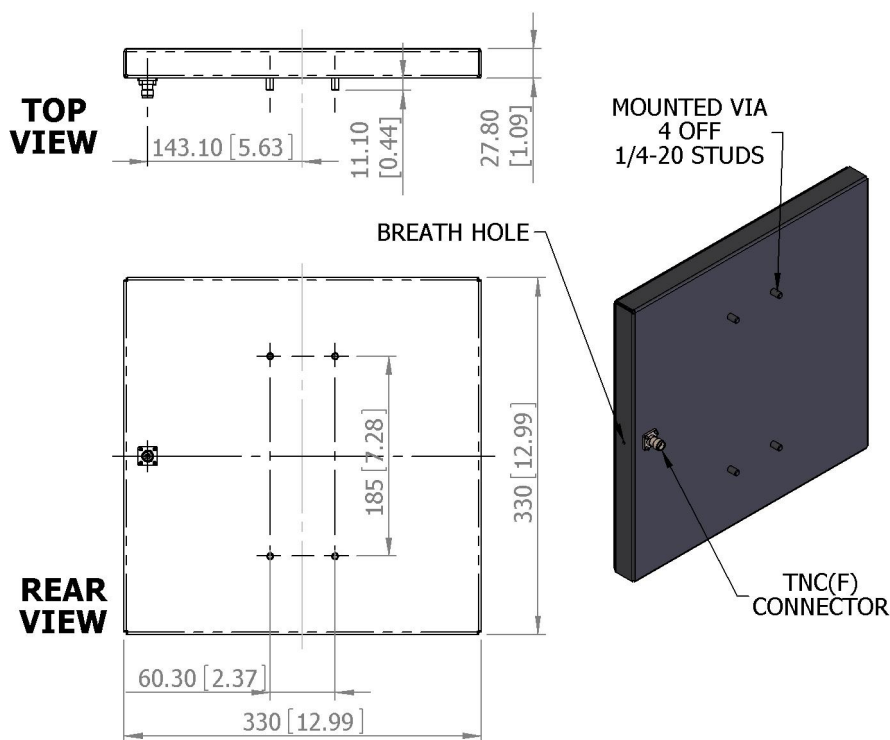
Standard Finish	Matt Black
Mass	1 Kg (2.2 lbs)
Temperature	-40° to +60°C
Wind Loading	18 Kg (39 lbs) @ 100mph

## MOUNTING OPTIONS

Kits Available	N/A
See separate data sheets	

## ADDITIONAL NOTES

Issued 140111



**GA: 1231**

Chelton Limited has a policy of continuous development and stress that the information provided is a guide only and does not constitute an offer or contract or part thereof. Whilst every effort is made to ensure the accuracy of the information contained in this brochure, no responsibility can be accepted for any errors or omissions.

The copyright of antenna designs and images is copyright protected and owned by Chelton Limited.  
©Chelton Limited

For further information please contact: Chelton Limited,  
Lambda House, Cheveley,  
Newmarket, Suffolk CB8 9RG, UK.  
T: +44 (0)1638 732 177  
E: newmarket.sales@chelton.com  
W: www.chelton.com/microwave