

FPA14-1590L/1265

Directional Antenna



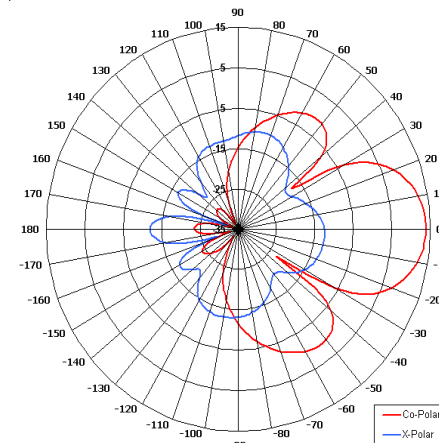
Key Features

Designed for Satellite Application

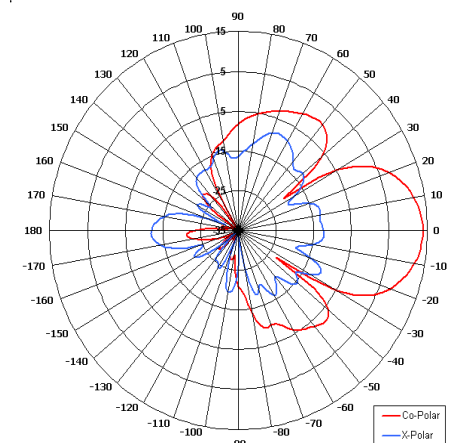
High Power

Left Hand Circular Polarised

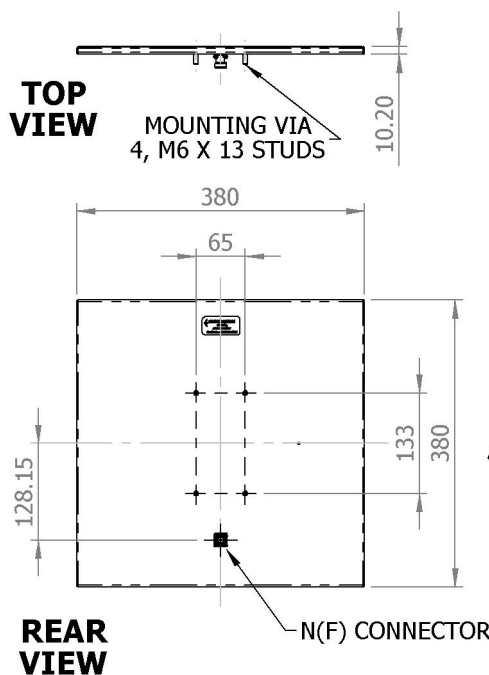
Adjustable Mounting Kit



Azimuth Pattern



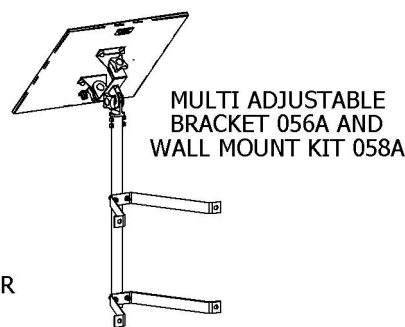
Elevation Pattern



GA: 1265

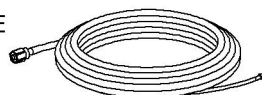


MULTI ADJUSTABLE BRACKET 056A AND TRIPOD 066A



MULTI ADJUSTABLE BRACKET 056A AND WALL MOUNT KIT 058A

8 METRE LONG FLEXIBLE CABLE WITH N(M) AND SMB PLUG CONNECTORS EA5798



ELECTRICAL

Frequency	1.5250 - 1.6605 GHz
Peak Gain	14.0 dBIC Peak
Polarisation	Left Hand Circular
Beamwidth	27° (Az) x 27° (El) Approx
Axial Ratio	1 dB Typ
VSWR	1.5:1
Power Rating	10 W
Front to Back	>30 dB

MECHANICAL

Standard Finish	White
Mass	1.0 Kg (2.2 lbs)
Temperature	-40° to +60°C
Wind Loading	23.4 Kg (51.5 lbs) @ 100mph

MOUNTING OPTIONS

Kits Available	056A, 058A, 066A
See separate data sheets	

ADDITIONAL NOTES

Issued 041110

Chelton Limited has a policy of continuous development and stress that the information provided is a guide only and does not constitute an offer or contract or part thereof. Whilst every effort is made to ensure the accuracy of the information contained in this brochure, no responsibility can be accepted for any errors or omissions.

The copyright of antenna designs and images is copyright protected and owned by Chelton Limited.
©Chelton Limited

For further information please contact: Chelton Limited, Lambda House, Cheveley, Newmarket, Suffolk CB8 9RG, UK.
T: +44 (0)1638 732 177
E: newmarket.sales@chelton.com
W: www.chelton.com/microwave