

# DLPA7-2.5-5.5DS/1315

Directional Antenna



## Key Features

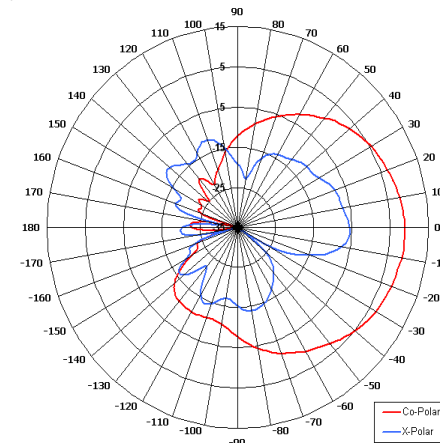
Designed for WLAN Applications

Dual Slant Polarisation

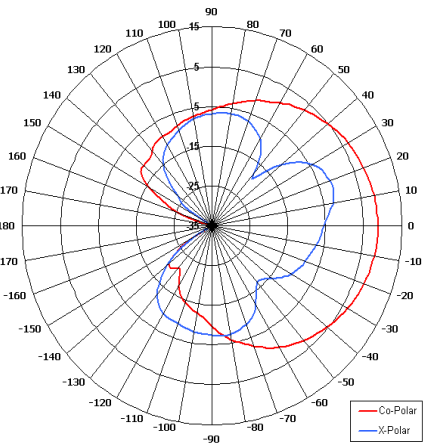
Dual Band

Aesthetic Design

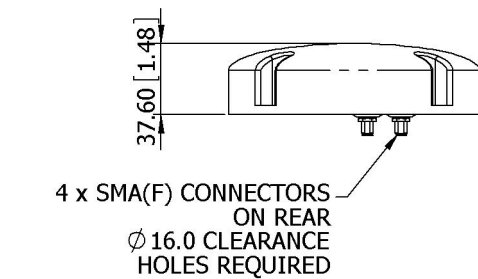
Suitable for Outdoor Applications



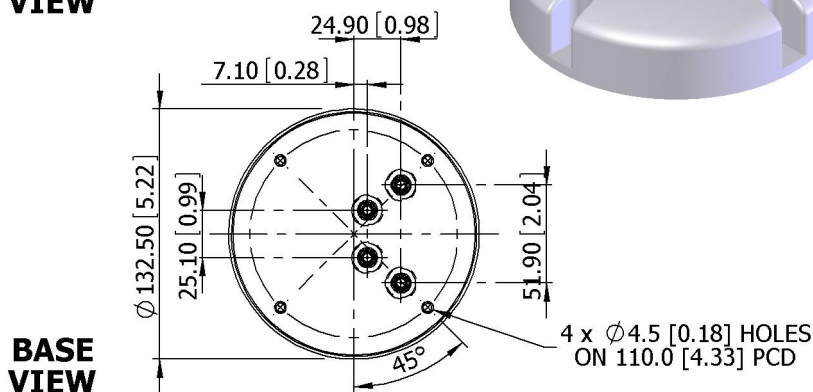
Azimuth Pattern 2.5 Ports



Azimuth Pattern 5.5 Ports

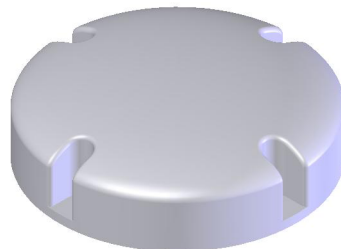


**SIDE VIEW**



**BASE VIEW**

**GA: 1315**



## ELECTRICAL

Frequency	2.40 - 2.50 GHz (2.5 Ports) 5.15 - 5.85 GHz (5.5 Ports)
Gain	7 dBi Typ (Both Ports)
Polarisation	Dual Slant +/- 45°
Beamwidth	60° (Az) x 60° (El) (Both Ports)
Isolation	20 dB Typ
VSWR	1.5:1
Power Rating	10 W
Front to Back	30 dB Typ

## MECHANICAL

Standard Finish	White
Mass	300 g (11 oz)
Temperature	-20° to +50°C

## MOUNTING OPTIONS

Kits Available	N/A
See separate data sheets	

## ADDITIONAL NOTES

Issued 150710

Chelton Limited has a policy of continuous development and stress that the information provided is a guide only and does not constitute an offer or contract or part thereof. Whilst every effort is made to ensure the accuracy of the information contained in this brochure, no responsibility can be accepted for any errors or omissions.

The copyright of antenna designs and images is copyright protected and owned by Chelton Limited.  
©Chelton Limited

For further information please contact: Chelton Limited, Lambda House, Cheveley, Newmarket, Suffolk CB8 9RG, UK.  
T: +44 (0)1638 732 177  
E: newmarket.sales@chelton.com  
W: www.chelton.com/microwave