

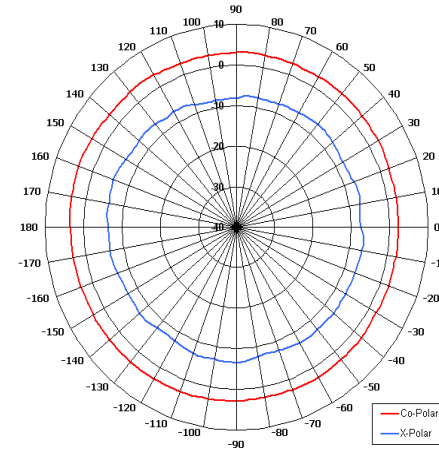
RCO4-149/1385



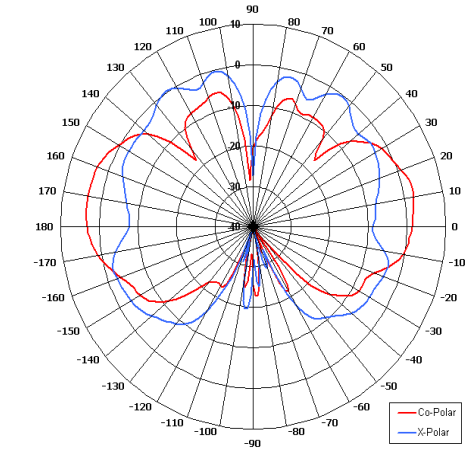
Omni Antenna

Key Features

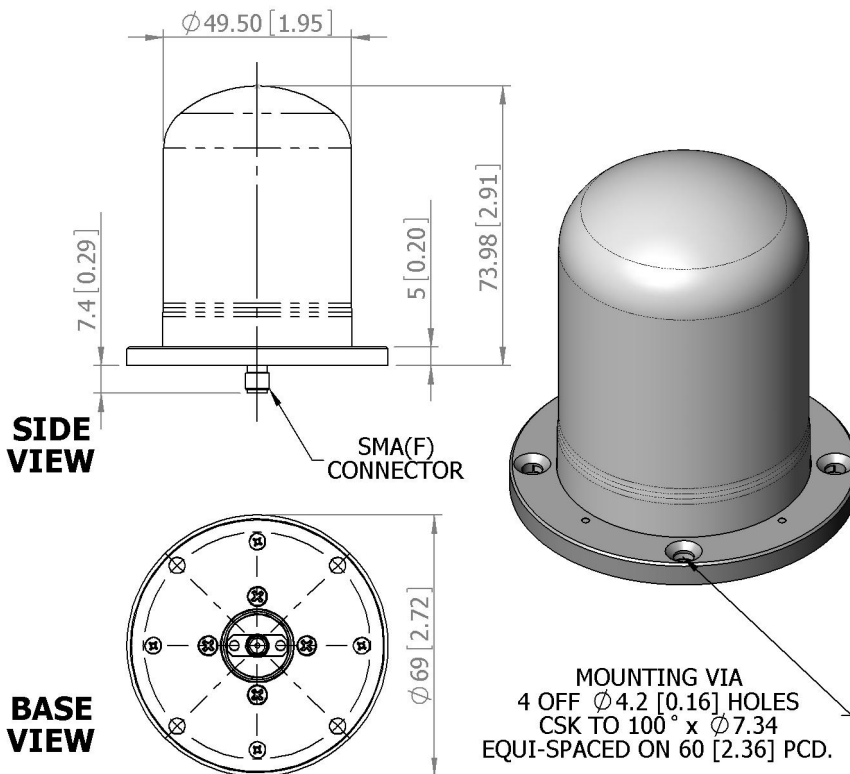
- Designed for UAV Data Link Applications
- High Frequency
- Right Hand Circular Polarised
- Suitable for Airborne Applications
- Rugged
- Connector Options



Azimuth Pattern



Elevation Pattern



SIDE VIEW

BASE VIEW

GA: 1385

ELECTRICAL

Frequency	14.40 - 15.40 GHz
Gain	4 dBiC Nom
Polarisation	Right Hand Circular
Beamwidth	360° (Az) x 40° (El) Approx
Axial Ratio	5 dB Typ
VSWR	1.5:1
Power Rating	50W
Front to Back	N/A

MECHANICAL

Standard Finish	Aerodur Camouflage Grey
Mass	125g (4.4 oz)
Temperature	-40° to +71°C
Wind Loading	0.58 Kg(1.27lbs) @ 100mph

MOUNTING OPTIONS

Kits Available	N/A
See separate data sheets	

ADDITIONAL NOTES

Issued 020910

Chelton Limited has a policy of continuous development and stress that the information provided is a guide only and does not constitute an offer or contract or part thereof. Whilst every effort is made to ensure the accuracy of the information contained in this brochure, no responsibility can be accepted for any errors or omissions.

The copyright of antenna designs and images is copyright protected and owned by Chelton Limited.
©Chelton Limited

For further information please contact: Chelton Limited, Lambda House, Cheveley, Newmarket, Suffolk CB8 9RG, UK.
T: +44 (0)1638 732 177
E: newmarket.sales@chelton.com
W: www.chelton.com/microwave